

HOW TO USE THIS PARTS CATALOGUE

MAKE UP OF THE PARTS NUMBER

1. Engine group

2. Frame group

Functional code of part number

Example: General parts

00000 - 000 - 0000 - 00

Function and component number Model code number Manufacture code Modification designation

Example: Bolts, nuts and other standard parts

00000 - 00000 - 00

Function and Dimension Chemical surface treatment

ABBREVIATIONS

Ass'y	Assembly	MPH	Miles per hour
Comp.	Complete	L (100L)	Link (100 Links)
R	Right	A.C	Alternating Current
L	Left	D.C	Direct Current
STD	Standard	IN	Inlet
mm	Millimeter	EX	Exhaust
T (22T)	Tooth (22 Teeth)	FR	Front
A	Ampere	RR	Rear
V	Volt	HEX	Hexagonal
W	Watt	A.M	Attaching mark
KPH	Kilometers per hour	T.M	Transcript mark

DIMENSION

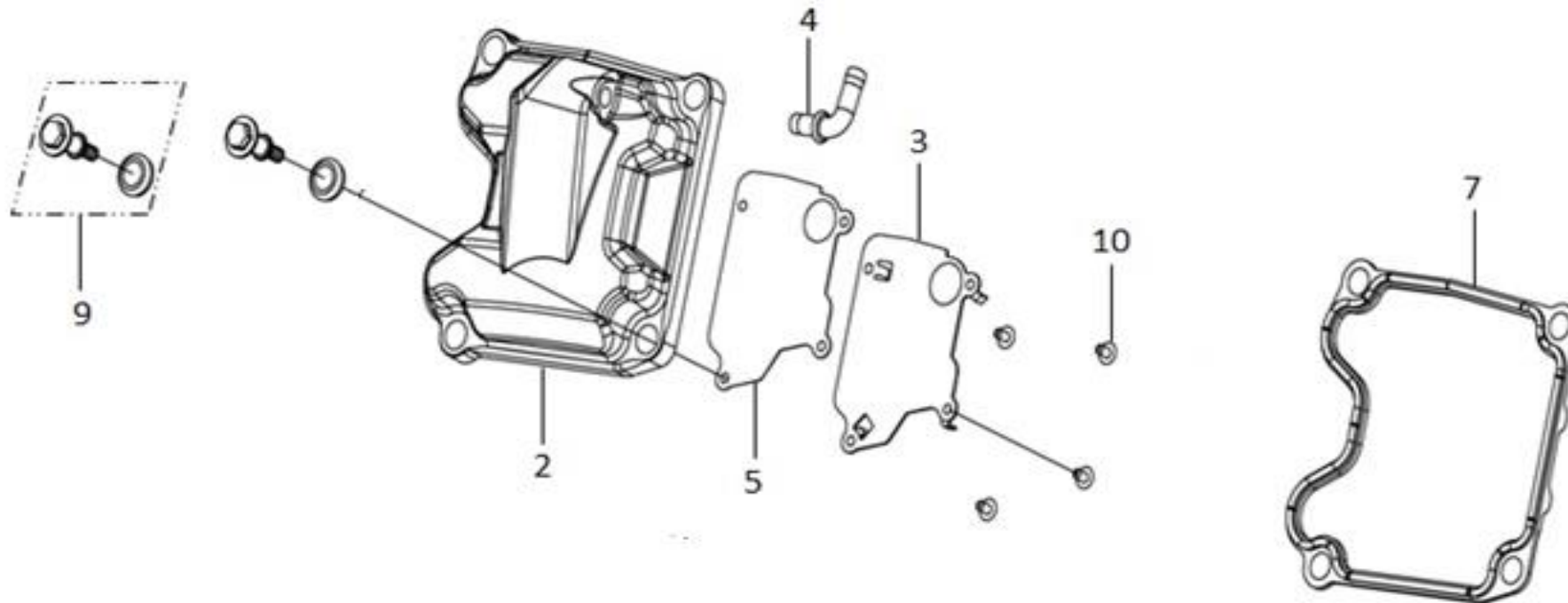
Parts	Example	Interpretation
Bolt (Screw)	6x12	6 mm diameter, 12 mm length
Pin	8x14	8 mm diameter, 14 mm length
O-ring	9.5x1.6	9.5 mm diameter, 1.6 mm thickness
Oil seal	14x24x5	14 mm inside diameter, 24 mm outside diameter, 5 mm thickness
Tube	5x130	5 mm inside diameter, 130 mm length

COLOR CHART VF3i - GA18AV-MY

0210Z-VF3-0004

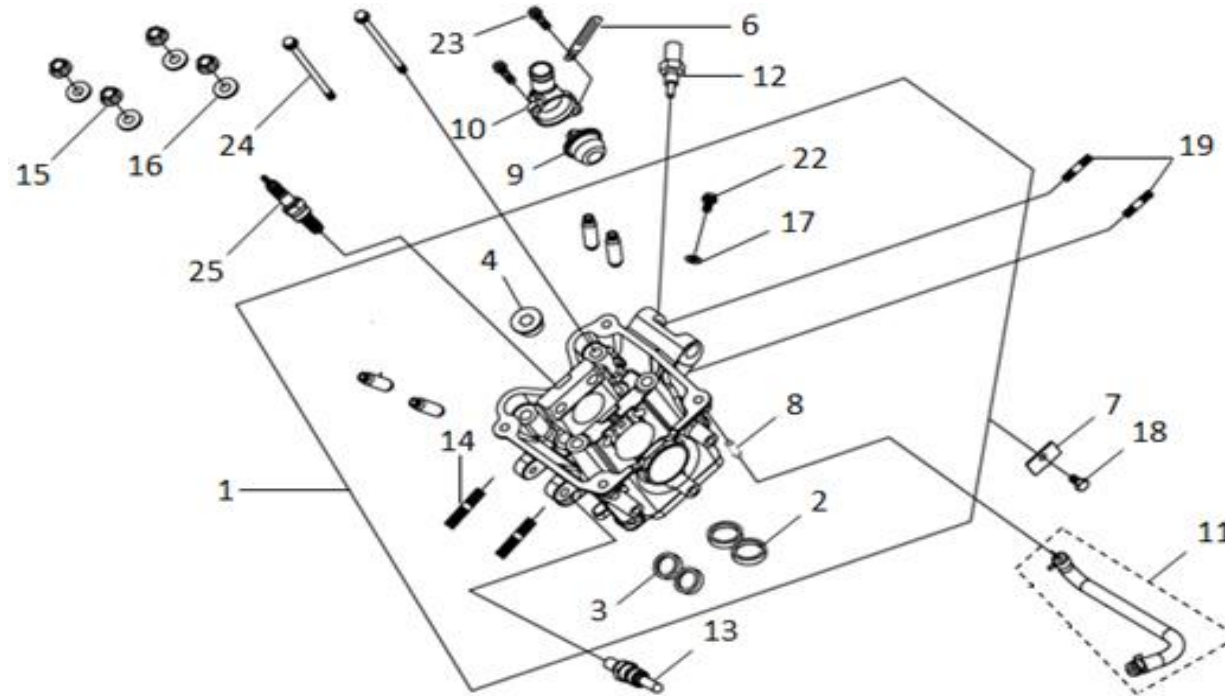
NO. TT	PATR NO Mã Số	PATR NAME Tên Linh Kiện	R-3089S / S-2082S RED / SILVER			BK-501U / S-2082S BLACK / SILVER			BU-4079S / S-2082S BLUE / SILVER		
			T1	Col Code		T2	Col Code		T3	Col Code	
1	53204-VF3-000	Meter Cover	TR	Red	R-3089S	KT	Black	BK-501U	DK	Blue	BU-4079S
2	53205-VF3-000	Fr. Handle Cover	KU	Gray	GY-098U	KU	Gray	GY-098U	KU	Gray	GY-098U
3	61100-VF3-000	Fr. Fender	RKE	Red/Gray	R-3089S/S-2082S	KKE	Black/Gray	BK-501U/S-2082S	BKE	Blue/Gray	BU-4079S/S-2082S
4	64300-VF3-000	Under Spoiler	KU	Gray	GY-098U	KU	Gray	GY-098U	KU	Gray	GY-098U
5	64301-VF3-000	R. Fr. Cover	TR	Red	R-3089S	KT	Black	BK-501U	DK	Blue	BU-4079S
6	64302-VF3-000	L. Fr. Cover	TR	Red	R-3089S	KT	Black	BK-501U	DK	Blue	BU-4079S
7	64303-VF3-000	R. Main Pipe Inner Cover	KT	Black	BK-501U	KT	Black	BK-501U	KT	Black	BK-501U
8	64304-VF3-000	L. Main Pipe Inner Cover	KT	Black	BK-501U	KT	Black	BK-501U	KT	Black	BK-501U
9	64310-VF3-000	Fr. Top Cover	KU	Gray	GY-098U	KU	Gray	GY-098U	KU	Gray	GY-098U
10	64311-VF3-000	Fr. Garnish	SV	Silver	S-420	SV	Silver	S-420	SV	Silver	S-420
11	83500-VF3-000	R. Body Cover	ST	Silver	S-2082S	ST	Silver	S-2082S	ST	Silver	S-2082S
12	83600-VF3-000	L. Body Cover	ST	Silver	S-2082S	ST	Silver	S-2082S	ST	Silver	S-2082S
13	83510-VF3-000	R. Side Cover	ST	Silver	S-2082S	ST	Silver	S-2082S	ST	Silver	S-2082S
14	83610-VF3-000	L. Side Cover	ST	Silver	S-2082S	ST	Silver	S-2082S	ST	Silver	S-2082S
15	83550-VF3-000	R. Body Lower Cover	TR	Red	R-3089S	KT	Black	BK-501U	DK	Blue	BU-4079S
16	83650-VF3-000	L. Body Lower Cover	TR	Red	R-3089S	KT	Black	BK-501U	DK	Blue	BU-4079S
17	81200-VF3-000	Rr. Carrier	TR	Red	R-3089S/S	KT	Black	BK-501U/S	DK	Blue	BU-4079S/S
18	18318-VF3-000	Muffler Protector	KDS	Black/Silver	BK-501U	KDS	Black/Silver	BK-501U	KDS	Black/Silver	BK-501U
19	44701-VF3-000-T0-VN	Fr. wheel cast	T0		(DV-042)	T0		(DV-042)	T0		(DV-042)
20	42701-VF3-000-T0-VN	Rr. wheel cast	T0		(DV-042)	T0		(DV-042)	T0		(DV-042)
21	77200-VF3-000	Double seat comp		Black	BK-001L		Black	BK-001L		Black	BK-001L

E01 CYLINDER HEAD COVER - HEAD COVER PACKING



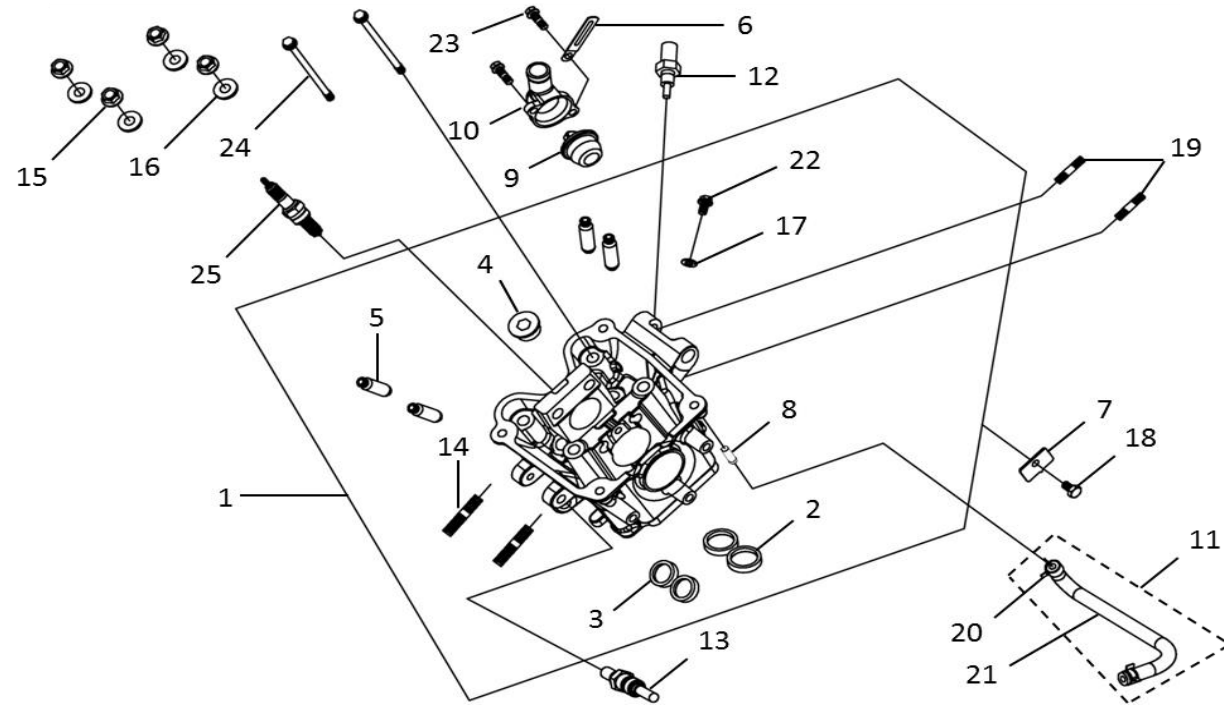
No.	Part No.	Description	Unit	Unit Price (RM / pcs)	Remark
2	12301-VF3-000-KG	Cylinder Head Cover	1	46.70	
3	12302-VF3-000	Breather Separating Plate	1	1.70	
4	12305-F6A-3000-L1	Breather Joint	1	4.40	
5	12308-VF3-000	Separating Plate Gasket	1	0.90	
7	12391-VF3-000	Head Cover Packing	1	16.40	
9	9000A-BHA-000	Special Bolt Ass'y	4	8.70	
10	93903-34120	Tapping Screw 4*8 mm	4	0.70	

E02 CYLINDER HEAD - SPARK PLUG



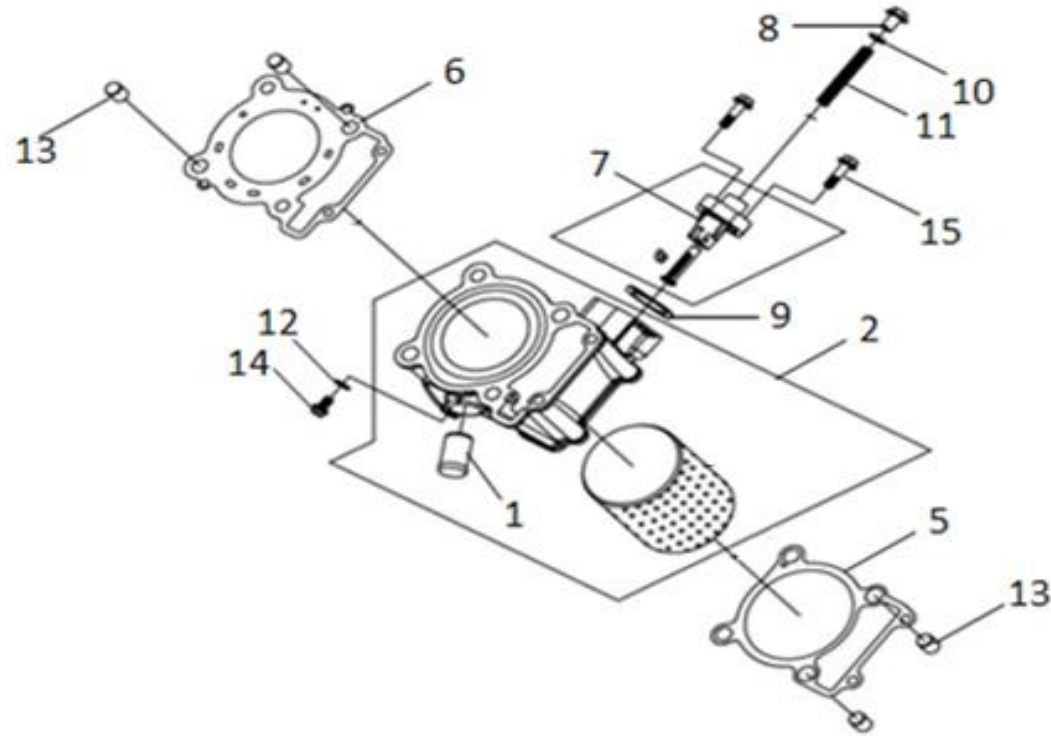
No.	Part No.	Description	Unit	Unit Price (RM / pcs)	Remark
1	12200-VF3-000-FG	Cylinder Head Comp.	1	485.50	
2	12202-VF5-300-VN	In. Valve Seat	2	8.70	
3	12203-VF5-300-VN	Ex. Valve Seat	2	9.10	
4	12205-L4A-310-K1	Sealing Bolt 20 mm	1	18.20	
6	12342-X01-000	Clamp (50 mm)	1	2.30	
7	14457-VF3-000	Cam Shaft Setting Plate	1	0.90	
8	17102-M9Q-300-L1	Fuel Joint	1	2.30	
9	19300-HMA-000	Thermostat Ass'y	1	60.50	
10	19315-BAA-000-KG	Thermostat Cover	1	21.70	
11	1951A-VF3-000	Thermostat Hose Ass'y	1	19.50	
12	37880-HMC-000	TW Sensor	1	76.10	
13	37890-LHF-0000	O2 Sensor Comp.	1	241.70	
14	90034-HMA-000	Special Stud Bolt 8*40 mm	2	2.40	
15	90201-HE1-000	Flange Nut 9 mm	4	4.80	
16	90442-HLK-000	Sealing Washer 9 mm	4	1.10	
17	90478-700-000	Washer A 6 mm	1	0.90	

E02 CYLINDER HEAD - SPARK PLUG



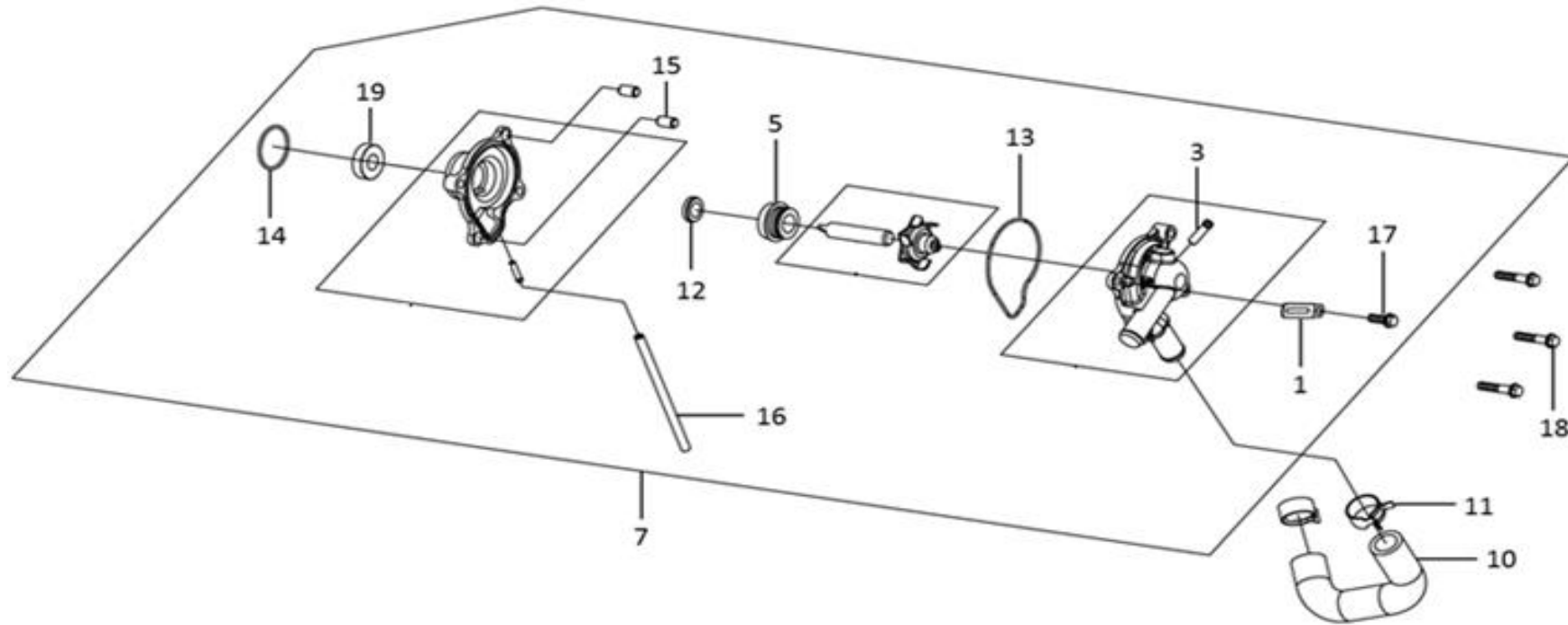
No.	Part No.	Description	Unit	Unit Price (RM / pcs)	Remark
18	92101-06010-0A	Hex Bolt 6X10 mm	1	0.50	
19	92900-06028-0B	Stud Bolt 6*28 mm	2	2.50	
22	96001-06010-00	Sh. Flange Bolt 6*10 mm	1	1.20	
23	96001-06016-00	Sh. Flange Bolt 6*16 mm	2	0.80	
24	96001-06095-00	Sh. Flange Bolt 6*95 mm	2	2.20	
25	299074470010	Spark Plug (CPR8EA-9)	1	6.00	nett price

E03 CYLINDER - TENSIONER LIFTER



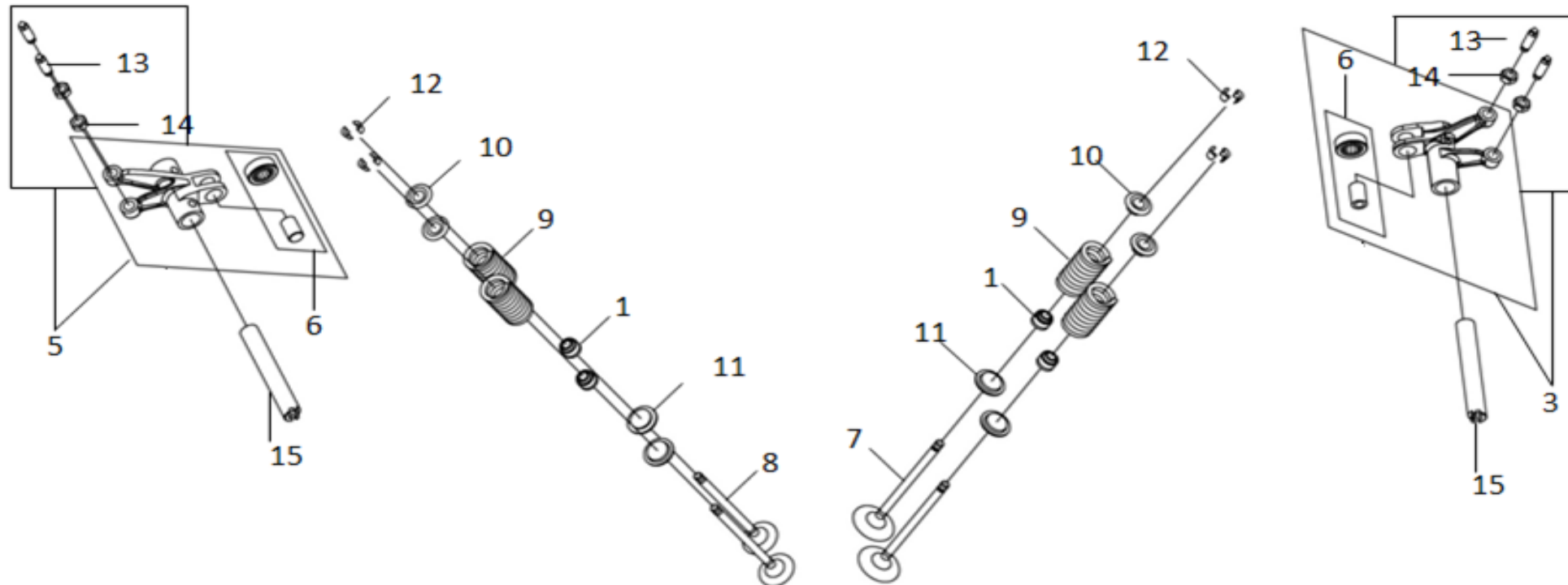
No.	Part No.	Description	Unit	Unit Price (RM / pcs)	Remark
1	11335-BAA-300-K1	Water Hose Joint	1	16.00	
2	1210A-VF3-000	CYLINDER ASS'Y. (BK-01AC-C)	1	263.00	
5	12191-VF3-000	Cylinder Gasket	1	6.00	
6	12251-VF3-000-VN	Cylinder Head Gasket	1	28.30	
7	14520-BAA-000	Tensioner Lifter Ass'y	1	54.20	
8	14522-H6T-000	Adjuster Bolt	1	5.10	
9	14523-M9Q-000	Tensioner Lifter Gasket	1	2.00	
10	14524-H6T-000	O-Ring	1	2.00	
11	14525-H6T-000	Adjuster Spring	1	3.60	
12	90478-700-000	Washer A 6 mm	1	0.90	
13	90704-HLK-000	Dowel Pin 11*14 mm	4	1.90	
14	96001-06010-00-L1	Sh. Flange Bolt 6*10 mm	1	0.50	
15	96001-06022-07	Sh Flange Bolt 6*22 mm	2	0.90	

E04 WATER PUMP ASSY



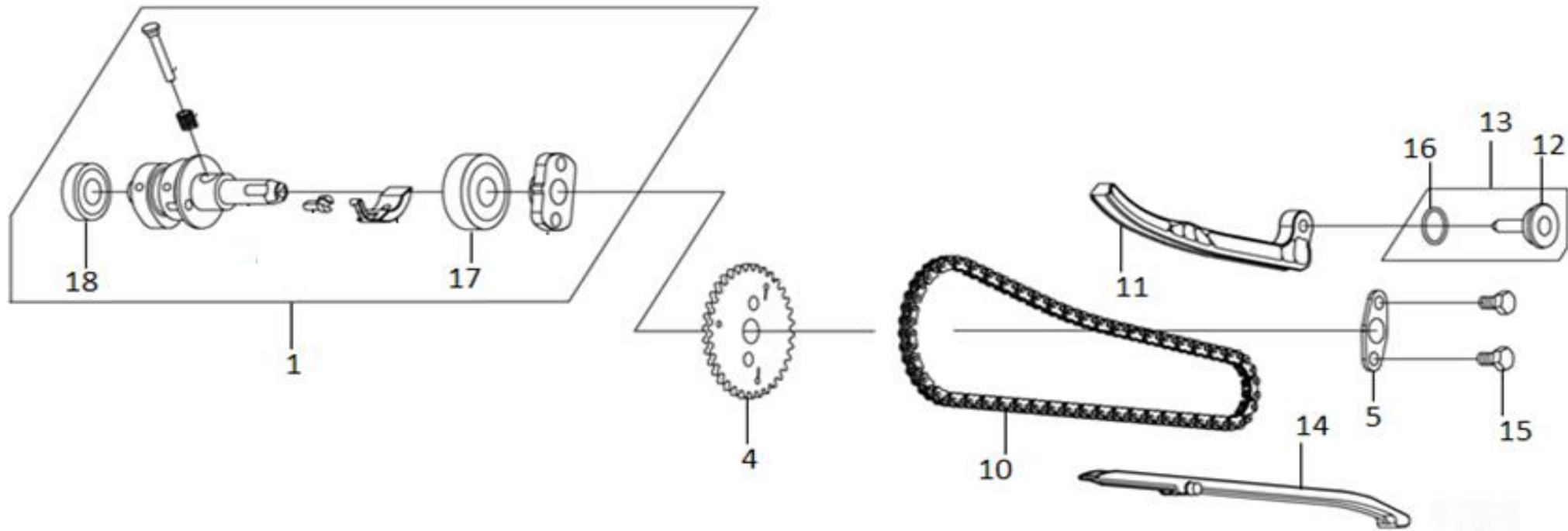
No.	Part No.	Description	Unit	Unit Price (RM / pcs)	Remark
1	12342-X01-000	Clamp (50mm)	1	2.30	
3	17102-M9Q-300-L1	Fuel Joint	1	2.30	
5	19217-H9A-300	Mechanical Seal	1	78.00	
7	1922A-VF3-000	Water Pump Ass'y	1	194.30	
10	19502-VF3-000	Water Hose (17*25) mm	1	21.70	
11	19505-VF3-000	Tube Clamp D23	2	3.10	
12	91205-KF0-003	Oil Seal 12*20*5 mm	1	5.00	
13	91302-VF3-000	Water Pump Cover O-Ring	1	3.50	
14	91308-HMA-000	O-Ring 34*2.0 mm	1	2.90	
15	94301-08140	Dowel Pin 8X14 mm	2	2.10	
16	95005-35250-50	Tube(3.5*250) mm	1	3.10	
17	96001-06016-00	Sh. Flange Bolt 6*16 mm	1	0.80	
18	96001-06030-00	Sh. Flange Bolt 6*30 mm	3	1.50	
19	96140-60010-00	Radial Ball Brg. 6001	1	11.70	

E05 EX. VALVE ROCKER ARM - IN. VALVE ROCKER ARM



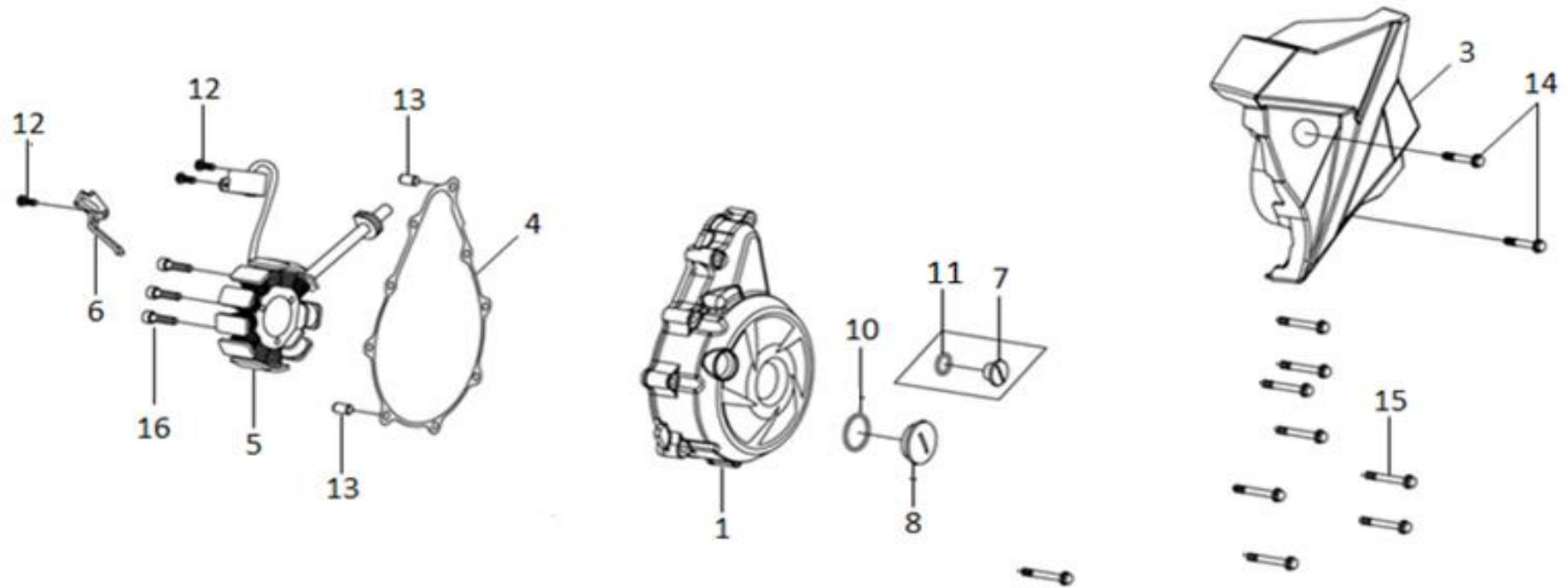
No.	Part No.	Description	Unit	Unit Price (RM / pcs)	Remark
1	12209-L1N-000	Valve Stem Seal	4	7.30	
3	1443A-VF3-000	In. Valve Rocker Arm Ass'y	1	96.60	
5	1444A-VF3-000	Ex. Valve Rocker Arm Ass'y	1	96.60	
6	14612-VT1-0000	Needle Bearing Ass'y	2	26.40	
7	14711-VF3-000-VN	Inlet Valve	2	22.50	
8	14721-VF3-000-VN	Exhaust Valve	2	57.10	
9	14751-VF3-000	Valve Spring	4	6.60	
10	14771-L1N-000-VN	Valve Spring Retainer	4	2.50	
11	14777-L1N-000-VN	Valve Spring Seat	4	3.20	
12	14781-L1N-000-VN	Valve Cotter	8	0.80	
13	90012-M9Q-000	Tappet Adjusting Screw	4	9.20	
14	90206-HLK-000	Tappet Adjusting Screw Nut	4	5.90	
15	14451-VF3-000	Rocker Arm Shaft	2	16.40	

E06 CAM SHAFT ASSY - SILENT CHAIN



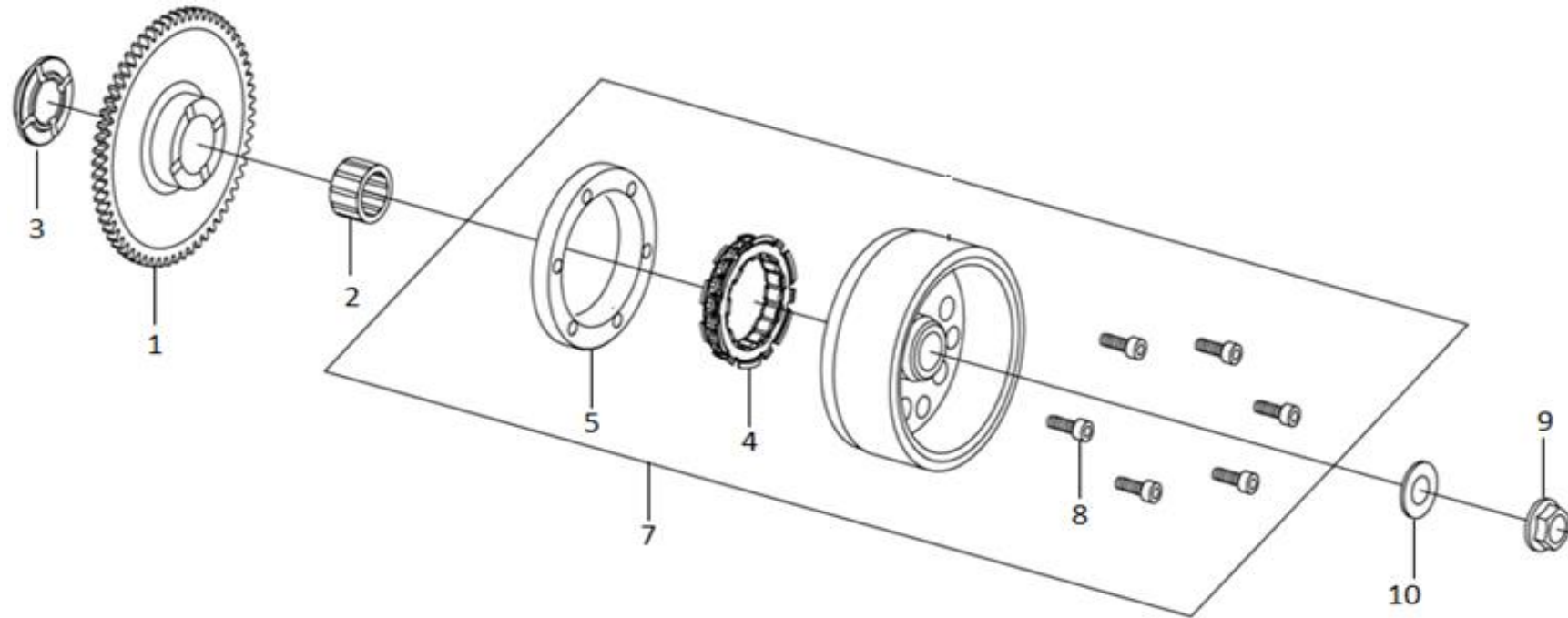
No.	Part No.	Description	Unit	Unit Price (RM / pcs)	Remark
1	14100-VF3-010-VN	Cam Shaft Comp.	1	263.30	
4	14105-VJ6-0000	Cam Sprocket	1	9.10	
5	14106-VF3-000	Sprocket Washer	1	1.30	
10	1CD SCR X 94L	Cam Chain (94L)	1	61.50	
11	14510-F8A-0001-L1	Cam Chain Tensioner	1	29.30	
12	14531-M9Q-000	Pivot Cam Chain Tensioner	1	10.70	Gold Colour
12	14531-M9Q-0000	Pivot Cam Chain Tensioner	1	10.70	Silver Colour
13	1453A-M92-0000	Pivot Cam Chain Tensioner Ass'y	1	13.50	Silver Colour
14	14610-F8A-0001-L1	Cam Chain Guide	1	12.90	
15	90083-B12-000	Knock Bolt 6 mm	2	1.00	
16	91304-M9Q-000	O-Ring 15.2*1.5 mm	1	2.80	
17	96100-63013-00	Radial Ball Brg 6301	1	17.40	
18	96120-60013-00	Radial Ball Bearing 6001Z	1	11.70	

E07 L. CRANK CASE COVER ASSY - STATOR COMP



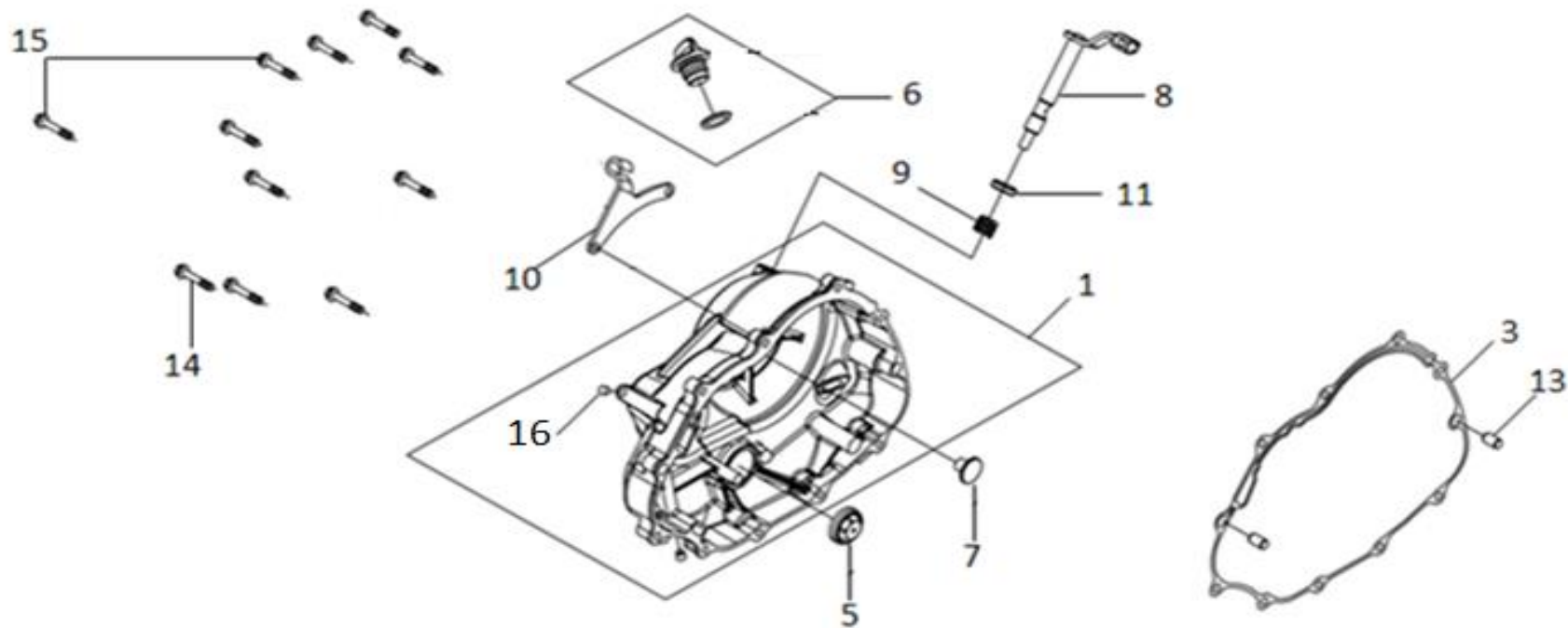
No.	Part No.	Description	Unit	Unit Price (RM / pcs)	Remark
1	11341-VF3-000-KT	L. Crank Case Cover	1	136.00	
3	11361-VF3-000-KT	L. Crank Case Rr. Cover	1	56.10	
4	11395-VF3-000	L. Crank Case Gasket	1	1.30	
5	31120-VF3-000	Stator Comp	1	157.80	
6	32961-VF3-000	A.C.G. Cord Clamper	1	2.30	
7	90084-VBA-000-KT	A.C.G. Cap 14 mm	1	6.20	
8	90087-VF3-000-KT	A.C.G. Cap 33 mm	1	13.00	
10	91302-M9Q-000	O-Ring 30.8 mm	1	2.90	
11	91304-VA2-0000	O-Ring 13.8X2.5 mm	1	1.20	
12	93500-05012-0A	Pan Screw 5*12 mm	3	0.40	
13	94301-08140	Dowel Pin 8X14 mm	2	2.10	
14	96001-06030-00	Sh. Flange Bolt 6*30 mm	2	1.50	
15	96001-06040-00	Sh. Flange Bolt 6*40 mm	9	0.90	
16	96700-06018-07	Socket Bolt 6*18 mm	3	0.90	

E08 FLYWHEEL ASSY - STARTER GEAR COMP



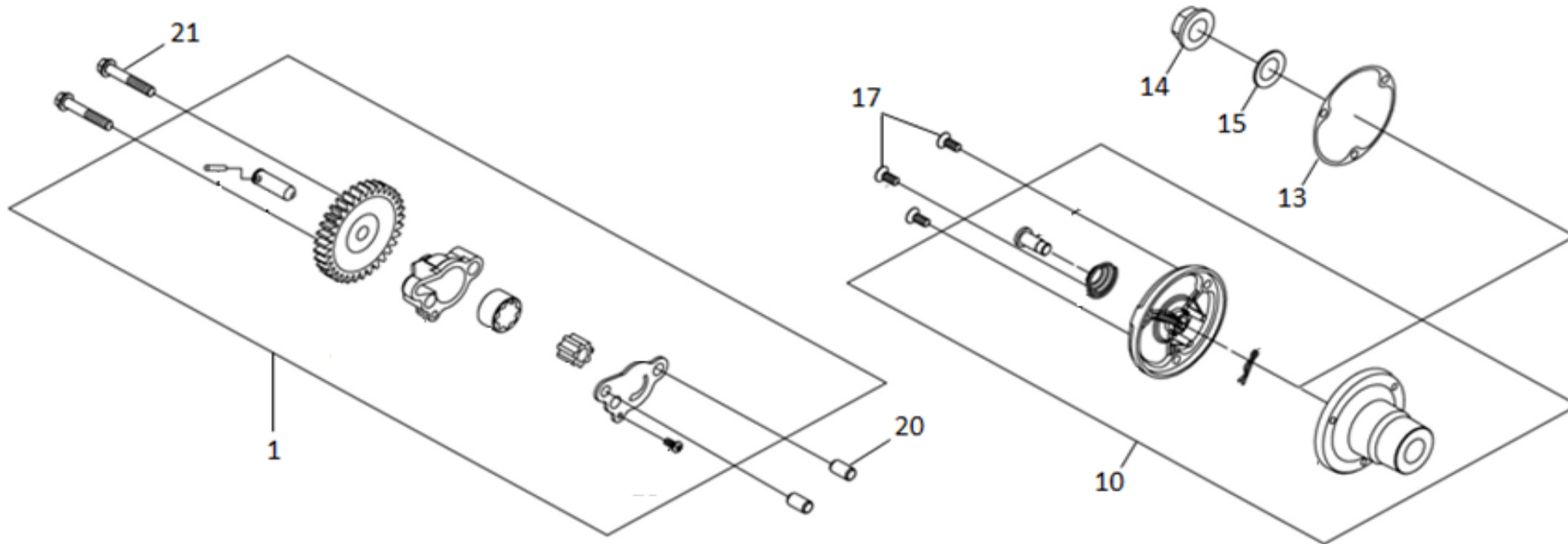
No.	Part No.	Description	Unit	Unit Price (RM / pcs)	Remark
1	28110-VF3-000-VN	Starting Driven Gear	1	138.20	
2	28112-BHA-000	Needle Bearing KT22X29X17.8S	1	19.90	
3	28115-VF3-000-L1	Starter Driven Gear Collar	1	20.30	
4	28120-VF3-000-VN	One Way Clutch Comp.	1	99.40	
5	28128-VF3-000-VN	Starting Clutch Outer	1	38.90	
7	3111A-VF3-000	Flywheel Ass'y	1	280.50	
8	90001-VF3-000	Socket Bolt 6*18 mm	6	1.30	
9	90201-KR8-751-M1	Flange Nut 14 mm	1	5.60	
10	90401-KJ9-000	Thrust Washer 14.2*28*2 mm	1	3.10	

E09 R. CRANK CASE COVER - OIL LEVEL GAUGE



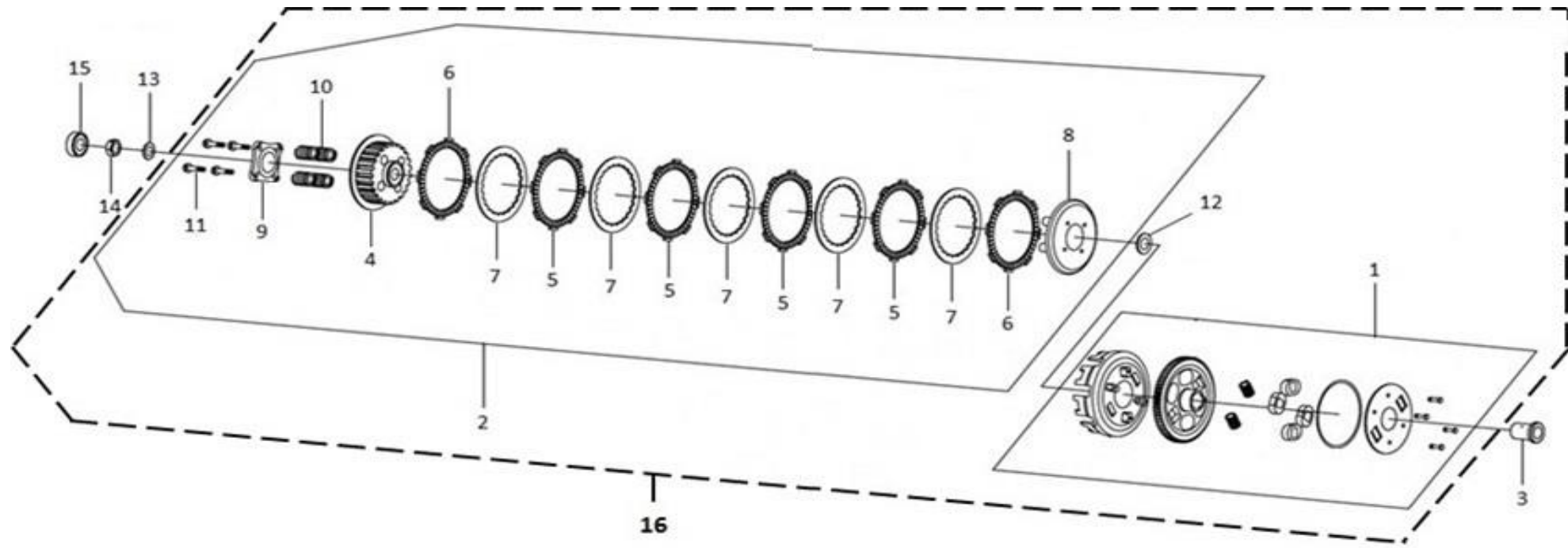
No.	Part No.	Description	Unit	Unit Price (RM / pcs)	Remark
1	11330-VF3-000-KT	R. Crank Case Cover Comp.	1	175.00	
3	11393-VF3-000	Right Case Cover Gasket	1	19.30	
5	15652-B9A-000	Oil Level Gauge	1	16.80	
6	1565A-B9A-000	Oil Filler Cap Ass'y	1	4.70	
7	22366-VF3-000	Clutch Lifter Rod	1	2.70	
8	22810-VF3-000-VN	Clutch Lever Comp.	1	21.70	
9	22815-BAD-000	Clutch Lever Spring	1	1.40	
10	22838-VF3-000	Clutch Wire Holder	1	6.60	
11	91205-KF0-003	Oil Seal 12*20*5 mm	1	5.00	
13	94301-08140	Dowel Pin 8X14 mm	2	2.10	
14	96001-06030-00	Sh. Flange Bolt 6*30 mm	9	1.50	
15	96001-06040-00	Sh. Flange Bolt 6*40 mm	2	0.90	
16	96205-06007	Cone Type Plug 6*7 mm	2	0.90	

E10 OIL PUMP ASSY



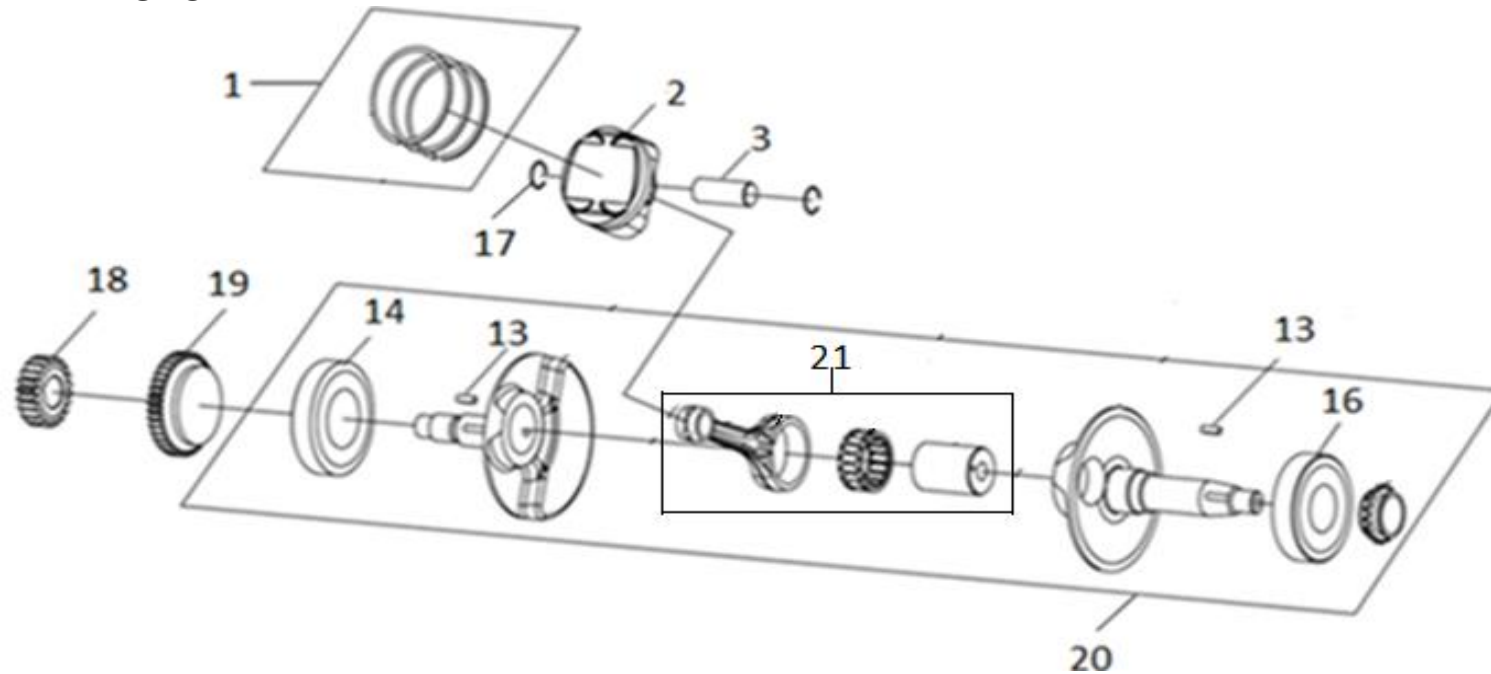
No.	Part No.	Description	Unit	Unit Price (RM / pcs)	Remark
1	15100-VF3-000-VN	Oil Pump Ass'y	1	87.50	
10	1543A-VF3-000-VN	Oil Filter Assy.	1	41.10	
13	15459-M2Q-0000	Oil Filter Rotor Cap Gasket	1	2.30	
14	90201-KR8-751-M1	Flange Nut 14mm	1	5.60	
15	90432-A01-A000	Lock Washer (B) 14 mm	1	0.70	
17	93700-05012-0H	Oval Screw 5*12 mm	3	0.80	
20	94301-08140	Dowel Pin 8X14 mm	2	2.10	
21	95701-06032-00	Flange Bolt 6X32 mm	2	0.70	

E11 CLUTCH CENTER ASSY



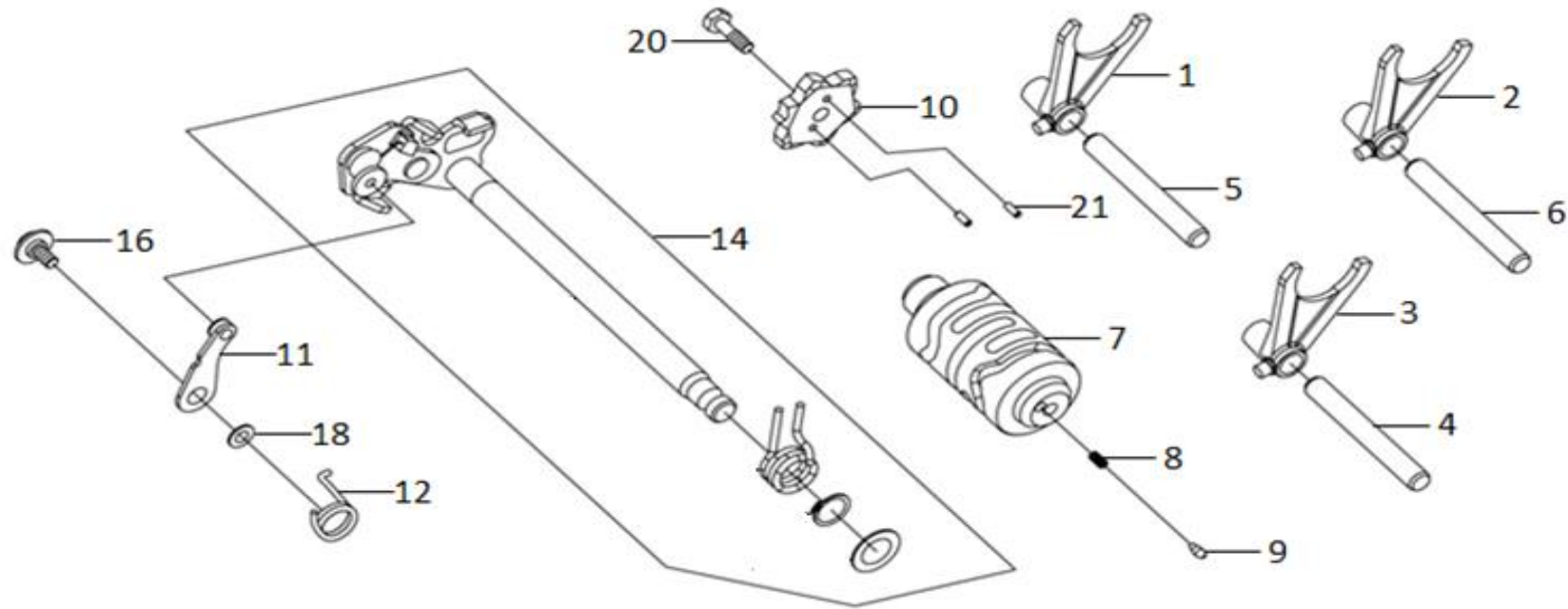
No.	Part No.	Description	Unit	Unit Price (RM / pcs)	Remark
1	22100-VF5-000-VN	Clutch Outer Comp.	1	226.60	
2	2210A-VF5-000-VN	Clutch Center Ass'y	1	210.20	
3	22115-VF3-000	Clutch Center Guide	1	25.60	
4	22121-VF5-000-VN	Clutch Center	1	31.10	
5	22201-VF5-000-VN	Clutch Friction Disk A	4	19.30	
6	22202-VF5-000-VN	Clutch Friction Disk B	2	19.30	
7	22311-VF5-000-VN	Clutch Plate	5	4.60	
8	22355-VF5-000-VN	Clutch Pressure Plate	1	17.30	
9	22361-VF5-000-VN	Clutch Lifter Plate	1	7.00	
10	22401-VF5-000-VN	Clutch Spring	4	2.30	
11	90008-VF5-000-VN	Flange Bolt 6X25 mm	4	0.70	
12	90405-VF5-000-VN	Clutch Washer 17 mm	1	1.40	
13	90432-A01-A000	Lock Washer (B) 14 mm	1	0.70	
14	94031-14200	Hex Nut 14 mm	1	2.70	
15	96100-60030-00-VN	Radial Ball Brg. 6003	1	20.30	
16	2200A-VF5-000-VN	Clutch Outer Assy	1	461.80	

E12 CRANK SHAFT - PISTON



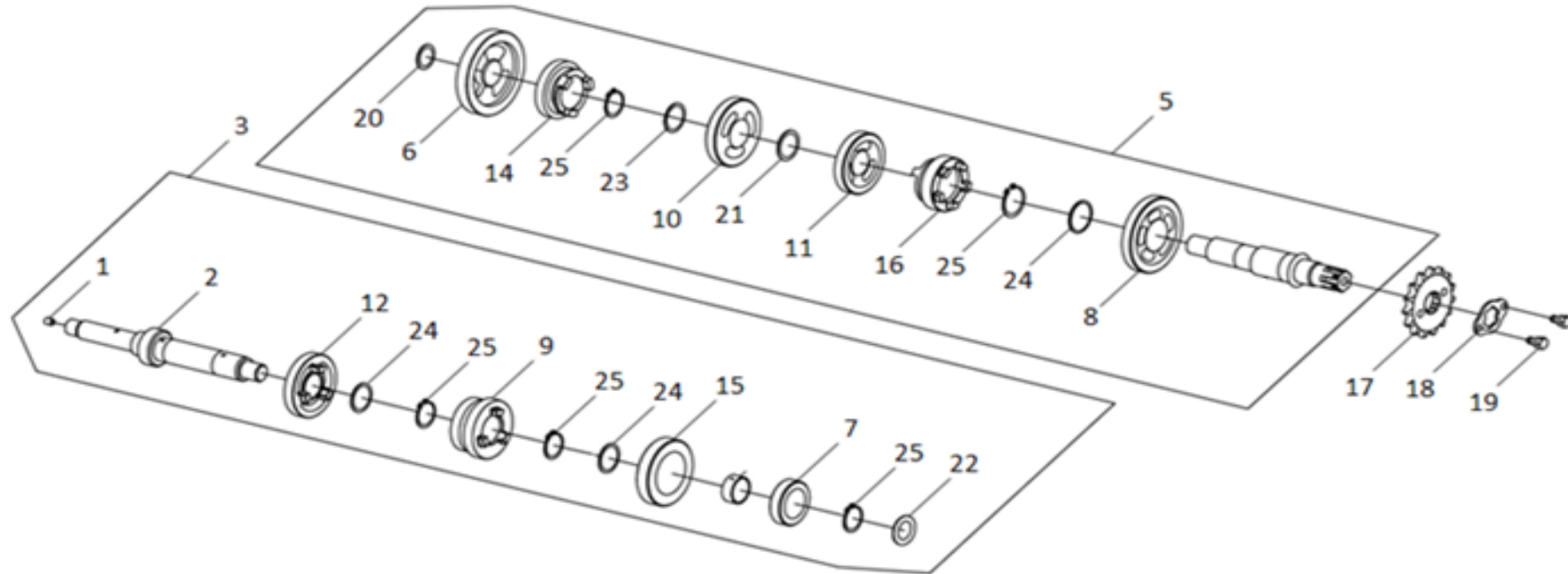
No.	Part No.	Description	Unit	Unit Price (RM / pcs)	Remark
1	13010-VF3-000	Piston Ring Set	1	64.80	
2	13101-VF3-000	Piston	1	45.40	
3	13111-M4Q-0000	Piston Pin	1	15.00	
13	90702-BHA-000	Woodruff Key 25*14*4.6 mm	2	6.20	
14	91001-F6A-300	Radial Ball Brg. Csb207C3	1	82.90	
16	91002-H9A-000	Radial Ball Brg. Tmb3/28	1	82.70	
17	94601-15000	Piston Pin Clip 15 mm	2	0.80	
18	23121-VF5-000-VN	Primary Drive Gear	1	36.60	
19	13411-VF3-000-VN	Balance Drive Gear, (41T)	1	102.70	
20	13000-VF5-000-VN	Crank Shaft Comp	1	433.10	
21	1320A-VF5-0000	Connecting Rod Ass'y.	1	130.00	

E13 GEAR SHIFT DRUM



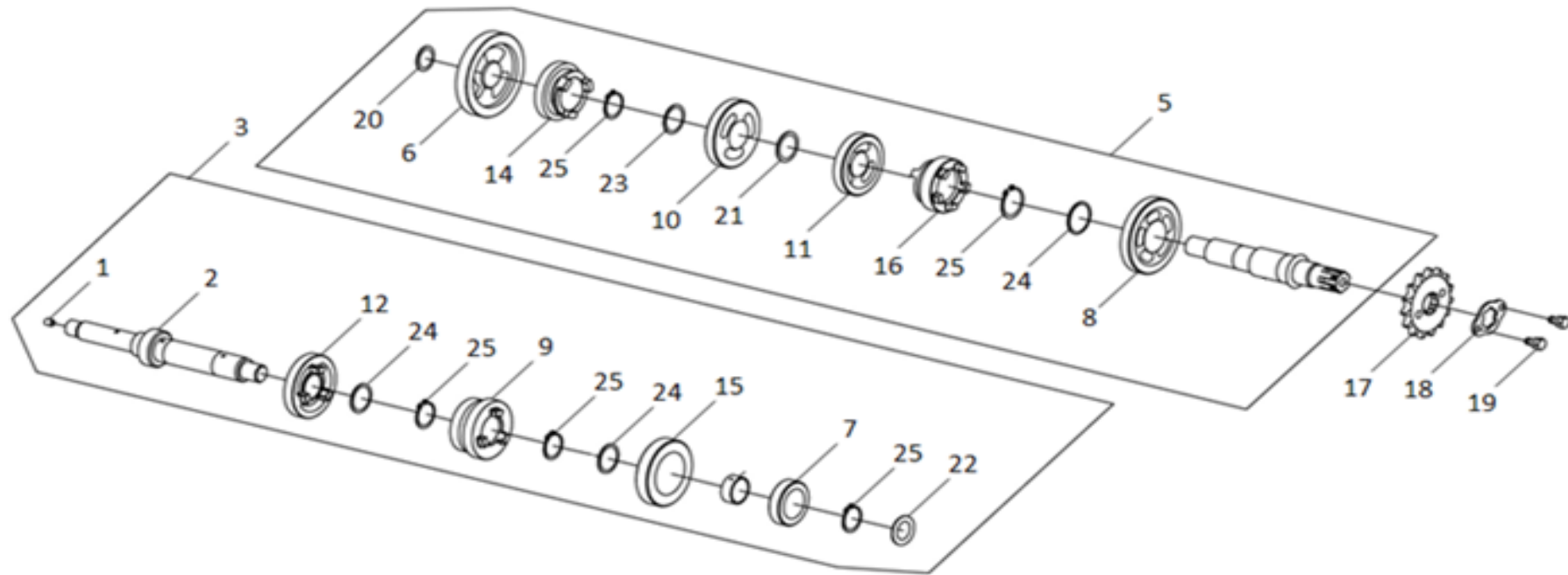
No.	Part No.	Description	Unit	Unit Price (RM / pcs)	Remark
1	24211-VF3-000-VN	R. Gear Shift Fork	1	23.80	
2	24212-VF3-000-VN	Center Gear Shift Fork	1	23.80	
3	24213-VF3-000-VN	L. Gear Shift Fork	1	23.80	
4	24241-VF5-000-VN	L. Gear Shift Fork Shaft	1	9.10	
5	24242-VF5-000-VN	R. Gear Shift Fork Shaft	1	9.10	
6	24243-VF5-000-VN	Center Gear Shift Fork Shaft	1	12.10	
7	24301-VF3-000-VN	Gear Shift Drum	1	69.10	
8	24319-VF3-000	Gear Indication Drill Spr.	1	0.90	
9	24323-VF3-000	Gear Indication Drill	1	0.50	
10	24410-VF3-000-VN	Shift Cam Plate Comp.	1	38.90	
11	24430-VF3-000-VN	Shift Drum Sopper Comp.	1	7.00	
12	24435-BAD-000	Shift Drum Stopper Spring	1	2.70	
14	2461A-VF3-000-VN	Gear Shift Spindle Ass'Y	1	56.10	
16	90023-VF3-000	Stopper Arm Pivot Bolt	1	0.90	
18	90479-X01-0000	Washer	1	0.80	
20	92101-06020-0H	Hex Bolt 6*20 mm	1	1.20	
21	96220-30085	Roller 3*8.5 mm	2	0.80	

E14 KICK STARTER SPINDLE



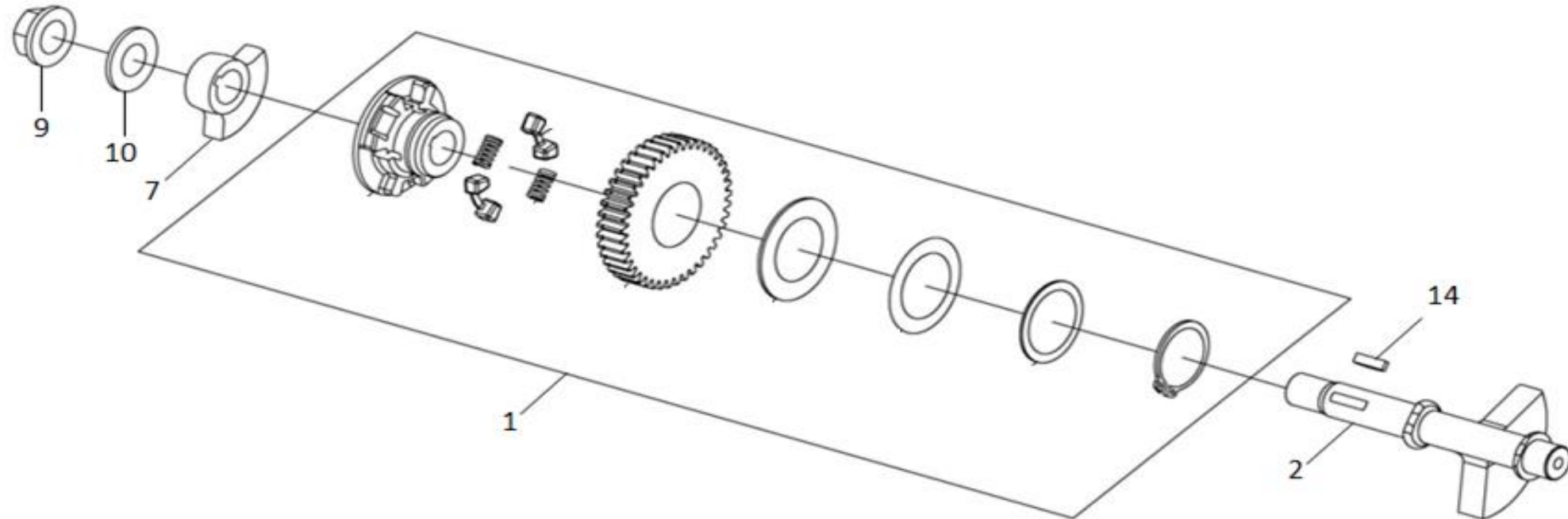
No.	Part No.	Description	Unit	Unit Price (RM / pcs)	Remark
1	11133-VF5-300	Oil Orifice 6*7 mm	1	2.70	
2	23210-VF5-000-VN	Main Shaft Comp.	1	108.00	
3	2321A-VF5-000-VN	Main Shaft Ass'y	1	323.70	
5	2322A-VF5-000-VN	Counter Shaft Ass'y	1	445.00	
6	23426-VF5-000-VN	C-1 Gear Comp.	1	86.70	
7	23441-VF5-000-VN	M-2 Gear	1	30.30	
8	23451-VF5-000-VN	C-2 Gear	1	73.40	
9	23461-VF5-000-VN	M3 & M4 Gear	1	92.90	
10	23471-VF5-000-VN	C-3 Gear	1	64.80	
11	23491-VF5-000-VN	C-4 Gear	1	56.10	
12	23501-VF5-000-VN	M-5 Gear	1	56.10	
14	23511-VF5-000-VN	C-5 Gear	1	49.70	
15	23521-VF5-000-VN	M-6 Gear	1	75.50	
16	23531-VF5-000-VN	C-6 Gear	1	86.30	
17	23801-BHA-000	Drive Sprocket 15T	1	10.70	
18	23811-NJA-000	Drive Spr. Fixing Plate	1	4.10	

E14 KICK STARTER SPINDLE



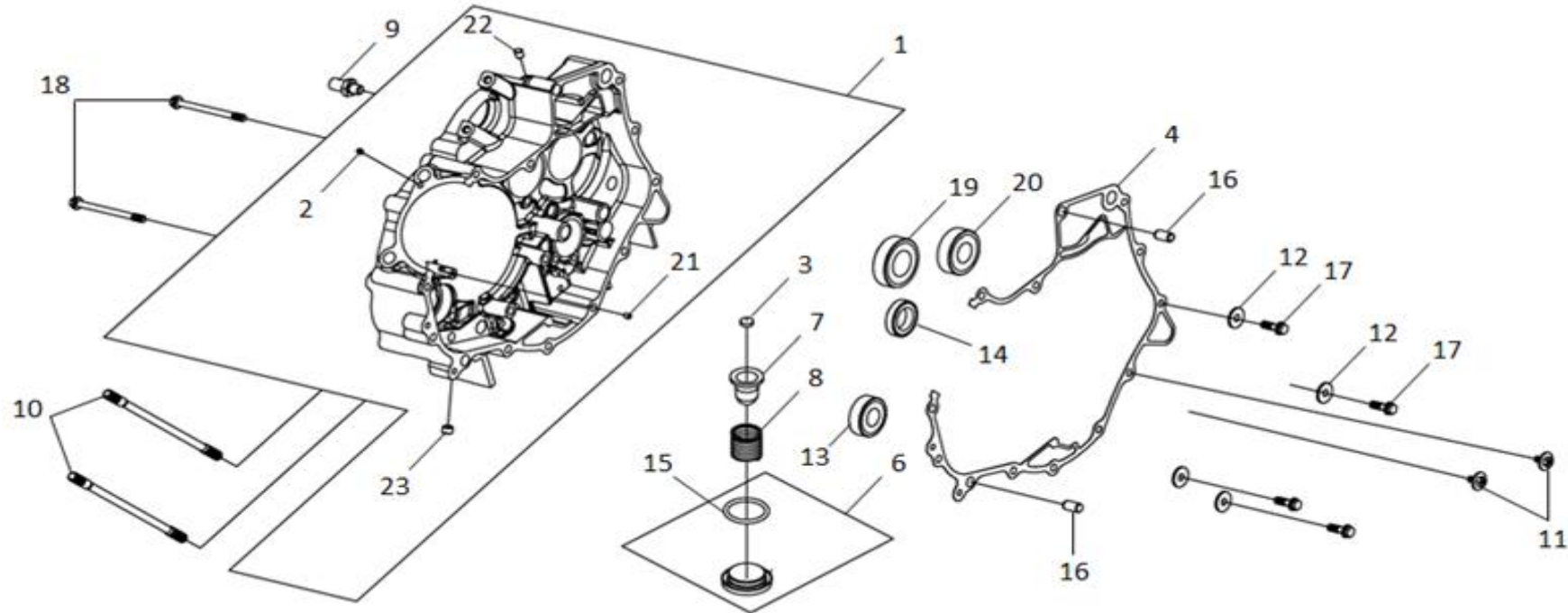
No.	Part No.	Description	Unit	Unit Price (RM / pcs)	Remark
19	90084-041-000A	Drive Sprocket Fixing Bolt	2	0.70	
20	90404-VF5-000-VN	Thrust Washer 17.2*23*1 mm	1	2.30	
21	90406-VF5-000-VN	Thrust Washer 22.2*26*1 mm	1	2.30	
22	90452-VF5-000-VN	Thrust Washer 16 mm	1	1.70	
23	90453-VF5-000-VN	Spline Washer	1	4.40	
24	90455-VF5-000-VN	Spline Washer	3	4.40	
25	90603-VF5-000-VN	Ex. Circlip	5	1.70	

E15 BALANCE DRIVER GEAR ASSY



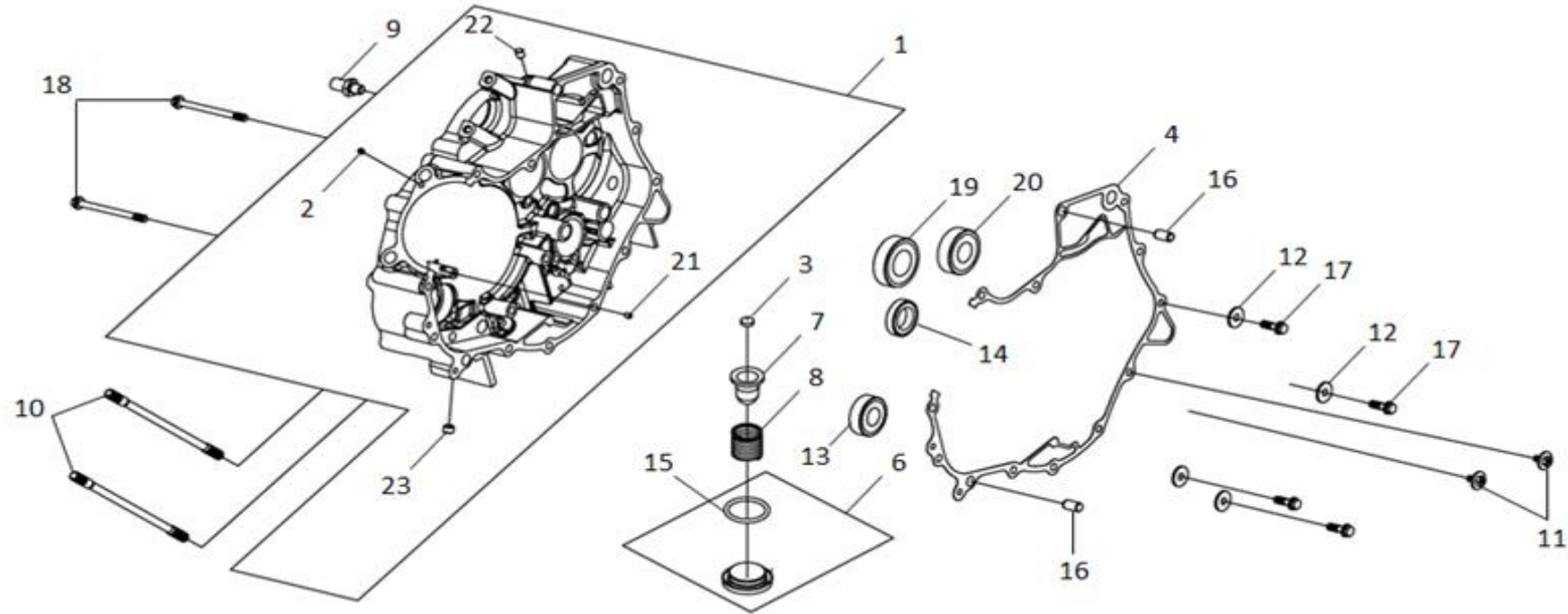
No.	Part No.	Description	Unit	Unit Price (RM / pcs)	Remark
1	1333A-VF3-000-VN	Balance Driven Gaer Ass'y	1	171.80	
2	13301-VFA-000-VN	Balance Shaft	1	120.90	
7	13429-VF3-000-VN	Balance Weight	1	23.80	provide while stock last
9	90201-KR8-751-M1	Flange Nut 14 mm	1	5.60	
10	90401-KJ9-000	Thrust Washer 14.2*28*2 mm	1	3.10	
14	90702-BHA-000	Woodruff Key 25*14*4.6 mm	1	6.20	

E16 R. CRANK CASE COMP



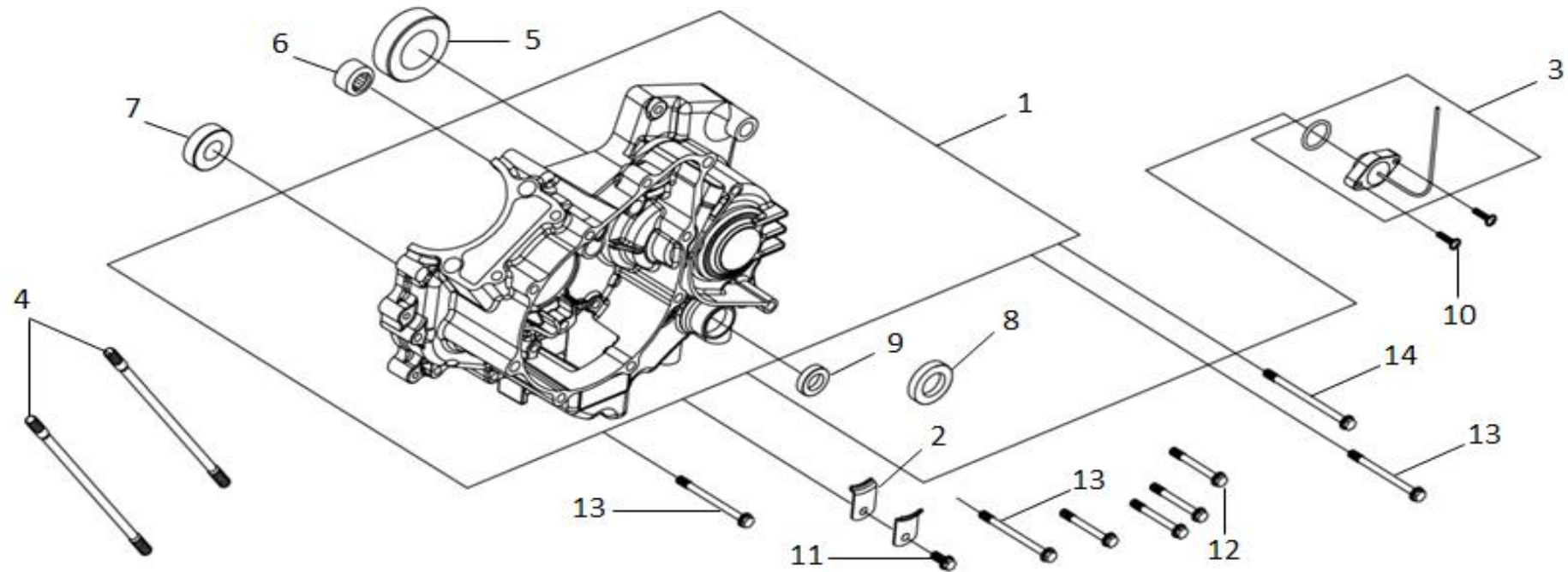
No.	Part No.	Description	Unit	Unit Price (RM / pcs)	Remark
1	11100-VF3-000-FG	Right Crank Case Comp.	1	242.80	
2	11107-VF3-300-K1	Oil Orifice A	1	2.30	
3	11109-H68-0000-VN	Magnet	1	6.00	
4	11191-VF3-000	Crank Case Gasket	1	20.00	
6	1236A-M9T-000	Tappet Adjusting Hole Cap Ass'y	1	13.50	
7	15421-H66-0000-VN	Oil Filter Screen	1	10.90	
8	15426-M9Q-000	Oil Filter Screen Spring	1	1.20	
9	24652-VF3-000	Shift Arm Stopper Pin	1	1.70	
10	90031-L1N-000-L1	Cyl. Stud Bolt A	2	8.70	
11	90302-M9Q-0000	Washer Bolt 5X12 mm	2	0.80	
12	90401-B9D-000-L1	Washer 6.2*18*1.6 mm	4	0.90	
13	96100-62020-00	Radial Ball Brg. Csb202	1	15.40	
14	91008-BAA-000	Radial Ball Bearing 6804	1	38.10	
15	91302-M9Q-000	O-Ring 30.8 mm	1	2.90	
16	94301-08140	Dowel Pin 8X14 mm	2	2.10	
17	96001-06016-00	Sh. Flange Bolt 6*16 mm	4	0.80	

E16 R. CRANK CASE COMP



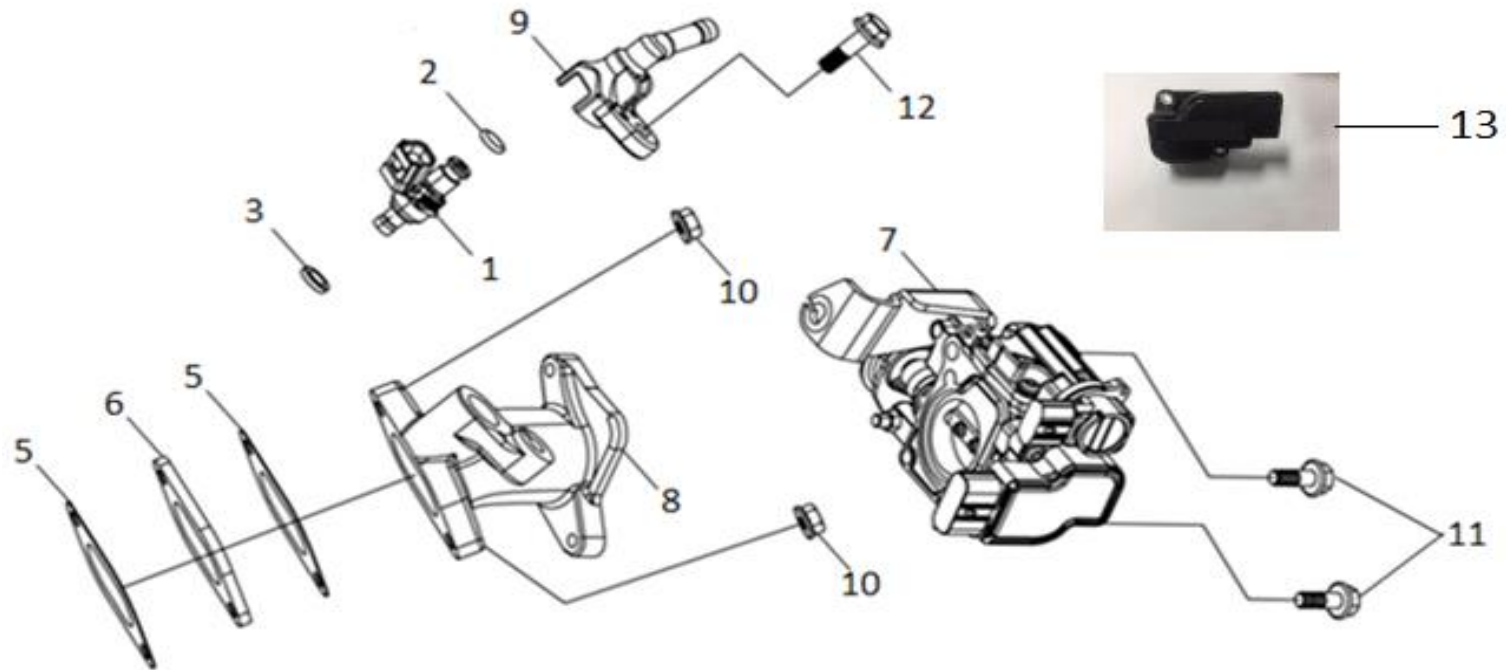
No.	Part No.	Description	Unit	Unit Price (RM / pcs)	Remark
18	96001-06065-00	Sh Flange Bolt 6*65 mm	2	2.10	
19	96100-60040-10-VN	Radial Ball Bearing 6004	1	21.10	
20	96120-62030-00-VN	Radial Ball Bearing 6203Z	1	11.70	
21	96205-04005	Cone Type Plug 4*5 mm	1	0.90	
22	96205-06007	Cone Type Plug 6*7 mm	1	0.90	
23	96205-08006	Cone Type Plug 8*6 mm	1	1.30	

E17 L. CRANK CASE COMP



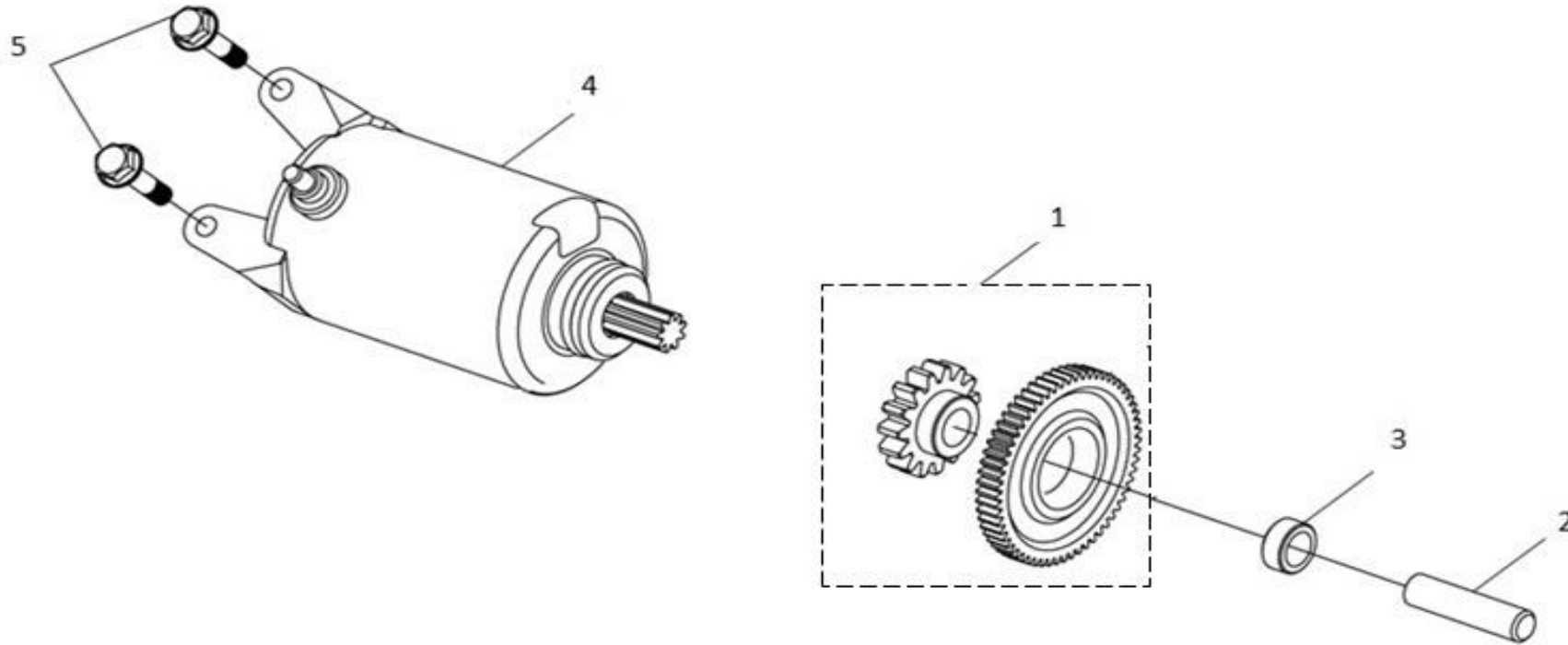
No.	Part No.	Description	Unit	Unit Price (RM / pcs)	Remark
1	11200-VF3-000-FG	L. Crank Case Comp.	1	283.30	
2	14151-VF3-000	Cam Chain Setting Plate	2	1.70	
3	35759-VF3-000-VN	Change Switch Ass'y	1	33.40	
4	90031-HE1-000-L1	Cylinder Stud Bolt A	2	8.70	
5	91001-H6B-300	Radial Ball Brg. 63/22	1	64.30	
6	91002-BAA-000	Needle Brg. NK16*24*16 mm	1	114.00	
7	96100-62020-00	Radial Ball Brg. CSB202	1	15.40	
8	91201-B06-000	Oil Seal 20X34X7 mm	1	6.90	
9	91201-M36-000-L1	Oil Seal 14*24*6 mm	1	4.80	
10	93891-04016-08	Washer Screw 4X16 mm	2	0.90	
11	96001-06012-00	Sh. Flange Bolt 6*12 mm	1	1.20	
12	96001-06045-08	Sh. Flange Bolt 6*45 mm	9	2.10	
13	96001-06065-00	Sh Flange Bolt 6*65 mm	3	2.10	
14	96001-06080-00	Sh. Flange Bolt 6*80 mm	1	2.20	

E18 THROTTLE BODY ASSY



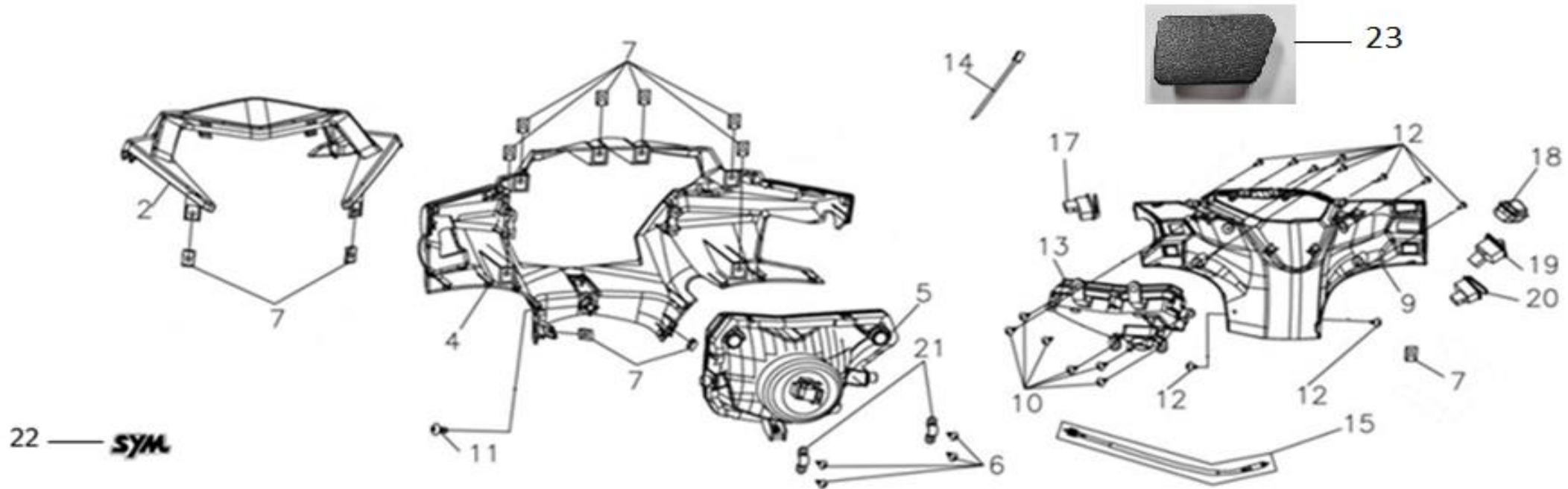
No.	Part No.	Description	Unit	Unit Price (RM / pcs)	Remark
1	06414-FZK-000-L1	Fuel Injector	1	145.00	
2	06415-AVA-000-L1	O-Ring	1	4.40	
3	06416-HNS-000	Seal-Ring	1	10.20	
5	16201-VF3-000	Insulator Gasket	2	0.60	
6	16211-VF3-000	Insulator	1	3.50	
7	16401-F81-000-01-L1	Throttle Body Ass'y	1	591.30	
8	17110-VF3-000	Inlet Pipe	1	60.50	
9	17120-VF3-000-VN	Fuel Injector Cap	1	19.50	
10	94050-06000	Flange Nut 6Mm	2	0.80	
11	96001-06016-00	Sh. Flange Bolt 6*16 mm	2	0.80	
12	96001-06025-07	Sh. Flange Bolt 6*20 mm	1	0.90	
13	1640A-VF3-0000	Throttle Position Sensor Service Part Set	1	160.00	

E19 START MOTOR ASSY



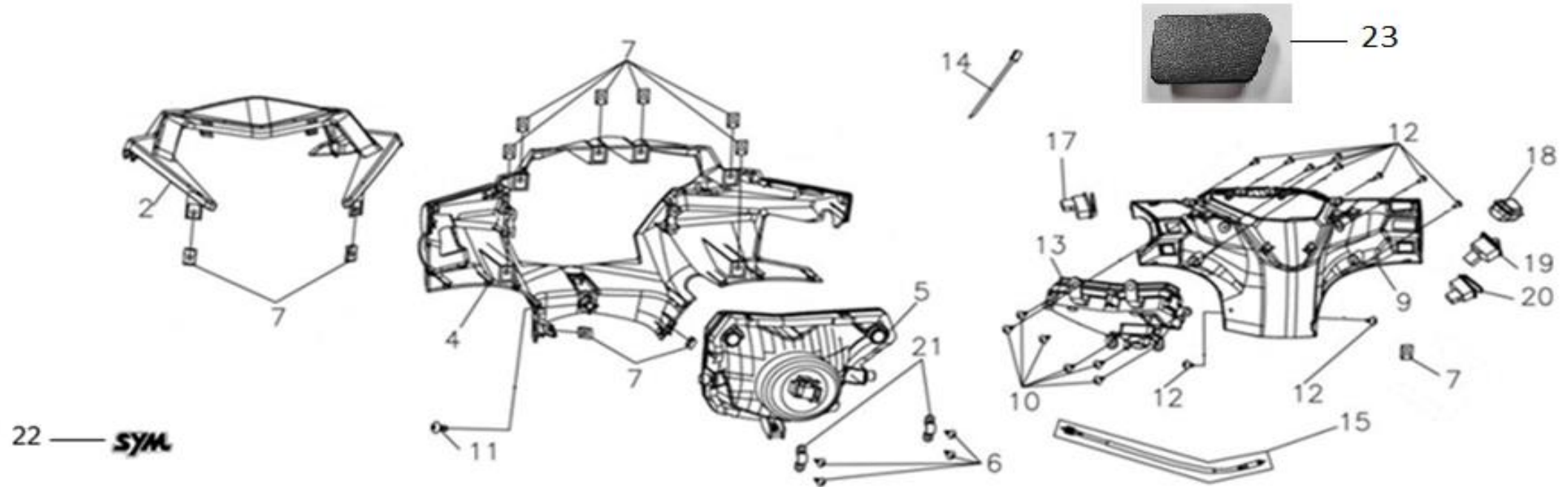
No.	Part No.	Description	Unit	Unit Price (RM / pcs)	Remark
1	28100-VF3-000-VN	Starting Reduction Gear Comp.	1	63.30	
2	28102-BAA-000	Start Reduction Gear Shaft	1	5.70	
3	28133-VF3-000	Starting Reduction Collar	1	4.40	
4	31200-VF3-000	Start Motor Ass'y	1	295.00	
5	96001-06025-07	Sh. Flange Bolt 6*25 mm	2	0.90	

F01 FR. HANDLE COVER - HAED LIGHT ASSY



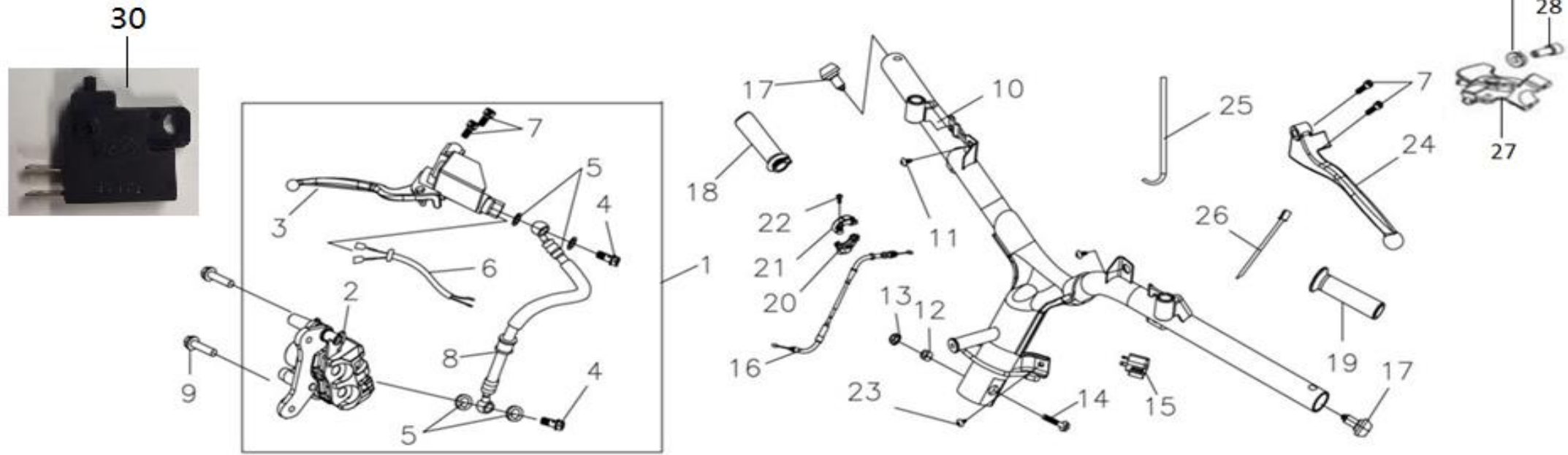
No.	Part No.	Description	Unit	Unit Price (RM / pcs)	Remark
2	53204-VF3-000-DK	Meter Cover (BU-4079S)	1	48.30	V1 : DK - Blue
2	53204-VF3-000-KT	Meter Cover (BK-501U)	1	48.30	V1 : KT - Black
2	53204-VF3-000-TR	Meter Cover (R-3089S)	1	48.30	V1, V2 : TR - Red
2	53204-VF3-000-DH	Meter Cover (VBM-2020S)	1	48.30	V2 : DH - Blue
2	53204-VF3-000-ST	Meter Cover (S-2082S)	1	48.30	V2 : ST - Silver
2	53204-VF3-000-YO	Meter Cover (Y-7067S)	1	48.30	V2 : YO - Gold
4	53205-VF3-000-KU	Fr Handle Cover (GY-098U)	1	43.30	V1 : KU - Matt Grey
4	53205-VF3-000-KT	Fr Handle Cover (BK-501U)	1	43.30	V2 : KT - Black
5	33100-VF3-000-VN	Head Light Ass'y	1	200.00	
5.1	34901-X06-0000	Head Light Bulb (Hs1 12V 35W/35W)	1	64.60	
5.2	33101-VF3-000-VN	Head Ligh Lens	1	64.80	
6	93903-34320	Tapping Screw 4*12 mm	4	0.90	
7	90302-SA4-003B	Nut Spring 4 mm	11	0.80	
9	53206-VF3-000	Rr. Handle Cover	1	20.00	
10	93903-35220	Tapping Screw 5*12 mm	6	1.20	
11	93891-05014-07	Washer Screw 5X14 mm	1	0.50	

F01 FR. HANDLE COVER - HAED LIGHT ASSY



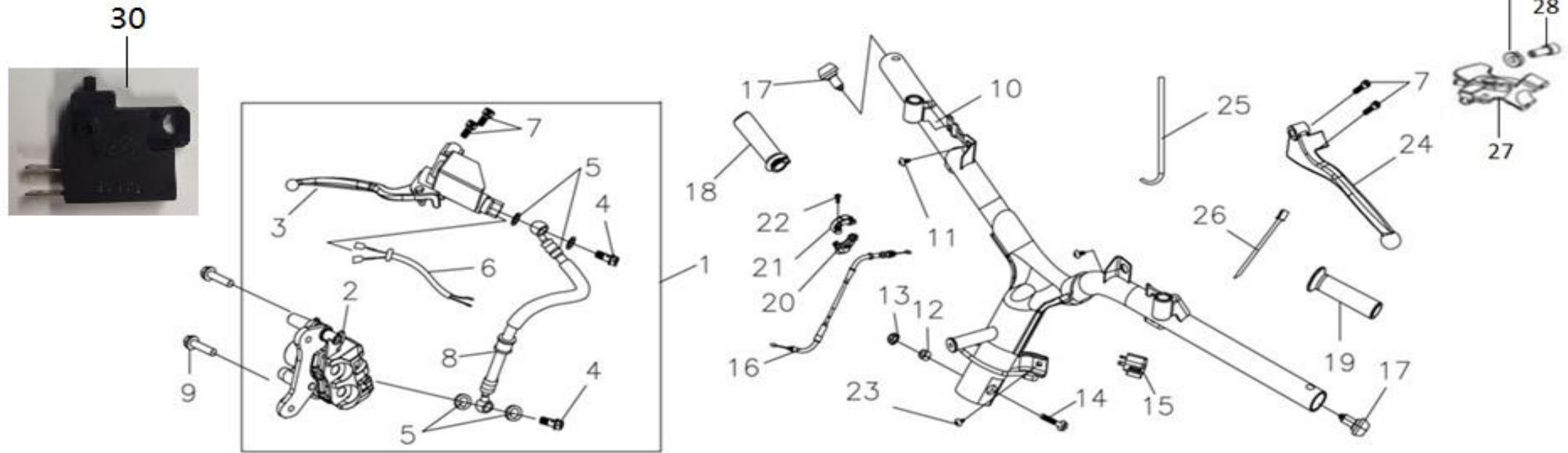
No.	Part No.	Description	Unit	Unit Price (RM / pcs)	Remark
12	93903-44480	Tapping Screw 4*16 mm	10	0.70	
13	37200-VF3-000-K2	Speedometer Ass'y	1	663.00	
14	32161-T15-000	Wire Band 250 mm	1	5.90	
15	44830-VCB-0000	Speedometer Cable Comp.	1	9.50	
17	35160-KAS-0000	Start Sw. Unit	1	12.10	
18	35170-M9Q-0001	Dimmer . Passing Sw. Unit	1	23.40	
19	35200-M9Q-000	Winker Sw. Unit	1	14.50	
20	35180-KAS-0000	Horn Sw.Unit	1	13.00	
21	33107-A7A-000	Head Light Plate	2	1.70	
22	83503-VF4-0000-T0	SYM Stripe (Black)	1	1.30	
22	83503-VF4-0000-T1	SYM Stripe (White)	1	1.30	
23	53207-A3M-0001	Lighting Sw.Cap	1	5.20	

F02 HANDLE PIPE COMP - FR. BRAKE ASSY



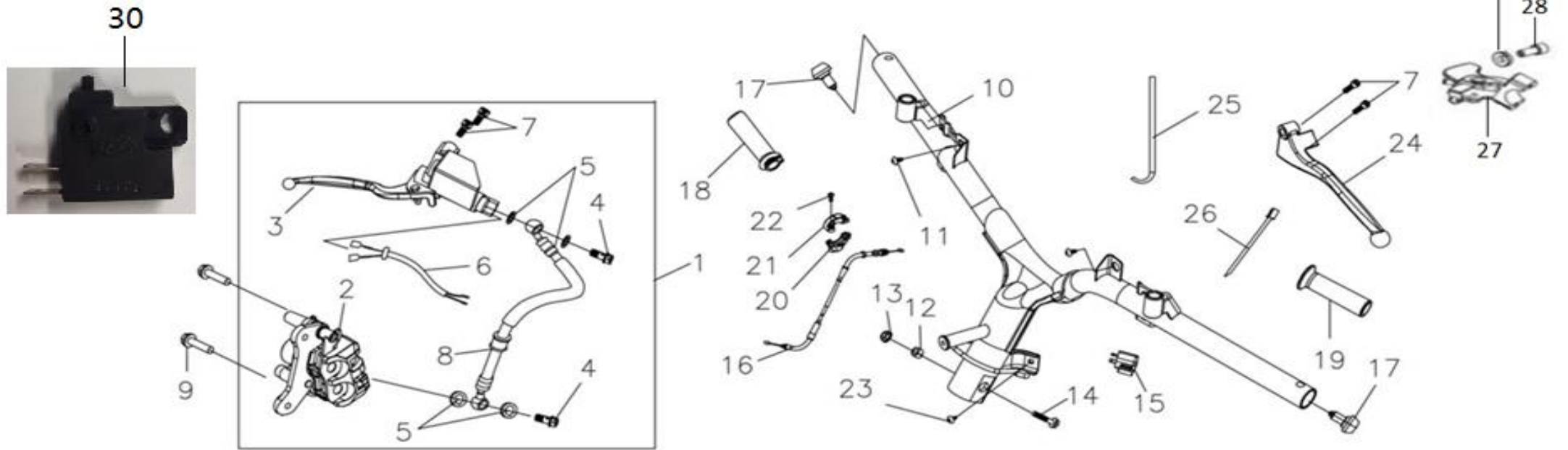
No.	Part No.	Description	Unit	Unit Price (RM / pcs)	Remark
1	4550A-VF3-000-VN	Fr. Brake Ass'y	1	250.30	
2	45100-VF3-000-VN	Fr. Caliper Ass'y	1	172.60	
2.1	45105-VA1-0000	Pad Comp. A	1	43.50	
3	45500-VBA-0001-VN	Fr. M/C Ass'y	1	116.60	
3.1	53176-VBA-0001-VN	R. Strg. Handle Lever	1	18.20	
4	90145-MS9-611	Oil Bolt 10*22 mm	2	6.60	
5	90545-300-000	Oil Bolt Washer	4	0.90	
6	35342-M3G-0000	Fr. Stop Sw. Cord Comp.	1	7.00	
7	96700-06012-08	Socket Bolt 6X12 mm	4	1.20	
8	45126-VBA-0001-VN	Fr. Brk. Hose Ass'y	1	37.20	
9	90105-HTA-000-L1	Flange Bolt 8X35 mm	2	2.30	
10	53100-VF3-000	Handle Pipe Comp.	1	112.30	
11	93903-35220	Tapping Screw 5*12 mm	2	1.20	
12	53125-M9Q-000	Hndl. Setting Collar	1	14.80	
13	94050-10070	Flange Nut 10 mm	1	2.40	
14	90106-VT3-0002-L1	Flange Bolt 10X50 mm	1	2.70	

F02 HANDLE PIPE COMP - FR. BRAKE ASSY



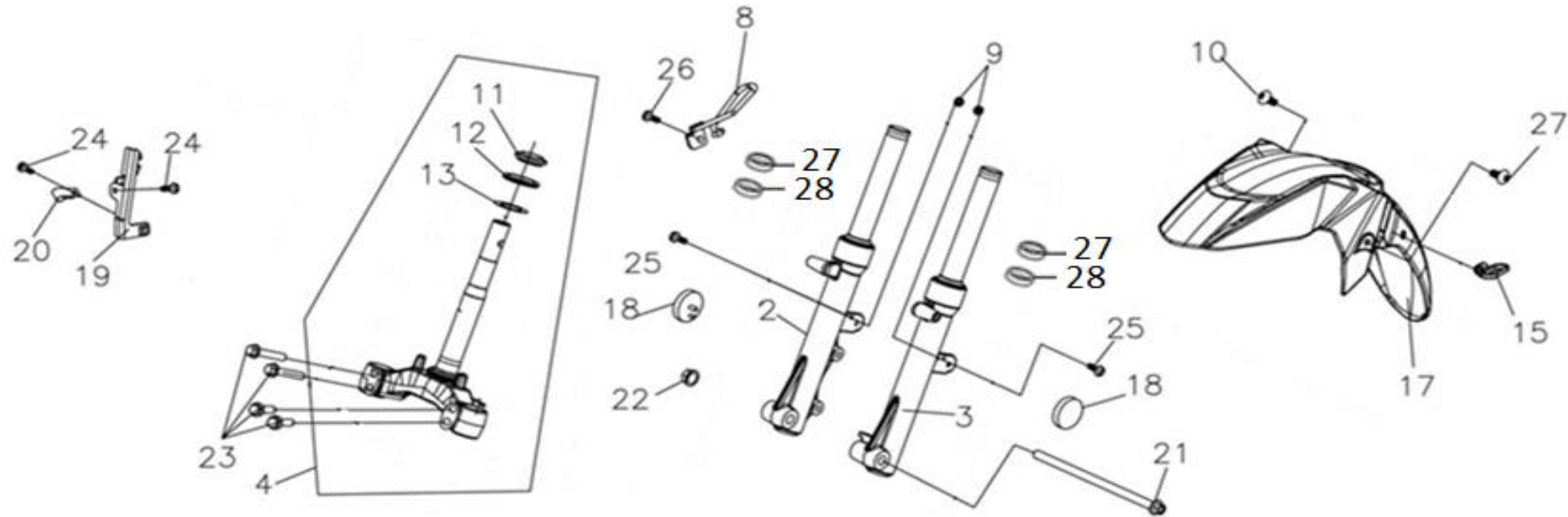
No.	Part No.	Description	Unit	Unit Price (RM / pcs)	Remark
15	38300-AZA-000-L1	Elec. Winker Relay Assy	1	45.40	
16	17910-VF3-000	Throttle Cable Comp.	1	20.00	
17-1	53105-VF3-000	Handle Pipe WT	2	30.30	
17-2	53104-M3B-0000	Handle WT. Rubber	2	2.30	
17-3	96700-06080-07	Socket Bolt 6X80	2	2.30	
17-4	53108-N02-000	Special Nut 6MM	2	3.00	
17	53104-VF3-900	Handle Pipe Wt. Ass'y	2	35.40	V2 use
18	53140-XPA-0001-VN	Throttle Grip	1	17.40	
19	53166-XPA-0001-VN	L. Handle Grip	1	11.40	
20	53167-H09-9001-L1	Throt. Und. Housing	1	3.90	
21	53168-H09-0001	Up Throt Housing	1	3.90	
22	93500-05022-00	Pan Screw 5*22 mm	1	0.40	
23	93903-44480	Tapping Screw 4*16 mm	1	0.70	
24	53178-VBJ-0002	L Strg. Handle Lever	1	19.40	
25	22870-VF3-000	Clutch Cable Comp.	1	30.00	
26	32161-T15-000	Wire Band 250	1	5.90	

F02 HANDLE PIPE COMP - FR. BRAKE ASSY



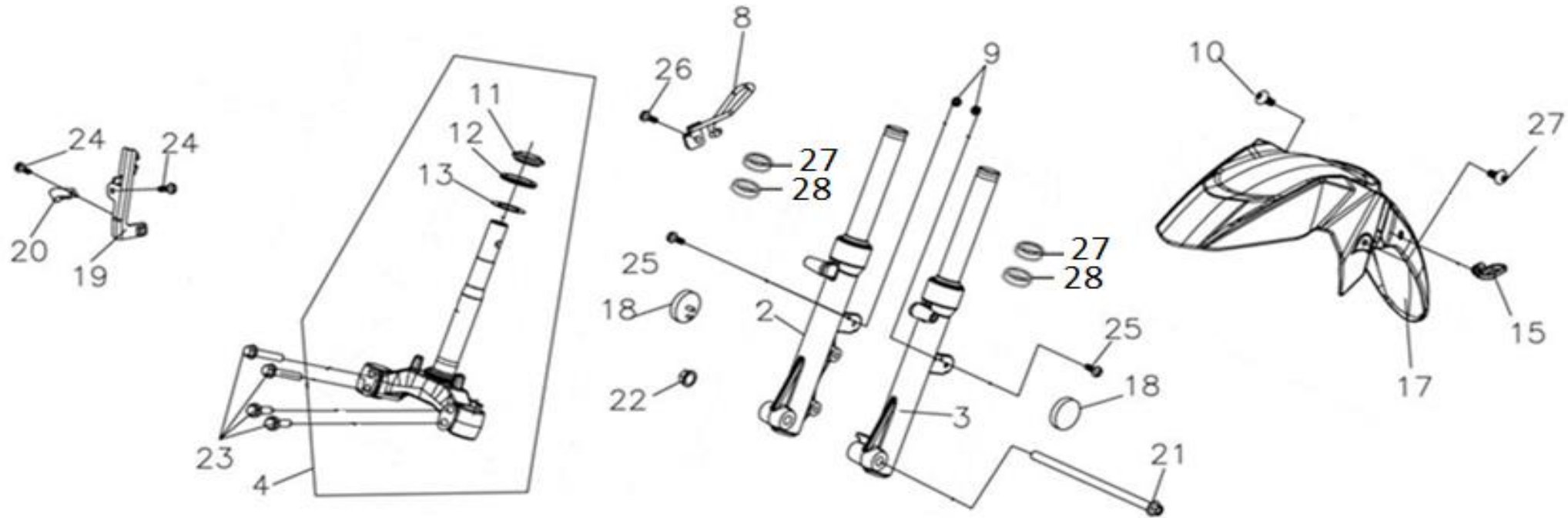
No.	Part No.	Description	Unit	Unit Price (RM / pcs)	Remark
27	53172-VBJ-0003	L. Handle Lever Brkt.	1	17.30	
28	53192-203-900	Clutch Wire Adjust Bolt-Nut	1	21.30	
29	90321-315-8000	Fixing Nut	1	1.90	
30	35340-KBN-900	Fr. Stop Switch Ass'y	1	41.80	

F03 FR. FENDER ASSY - FR. R. CUSHION ASSY



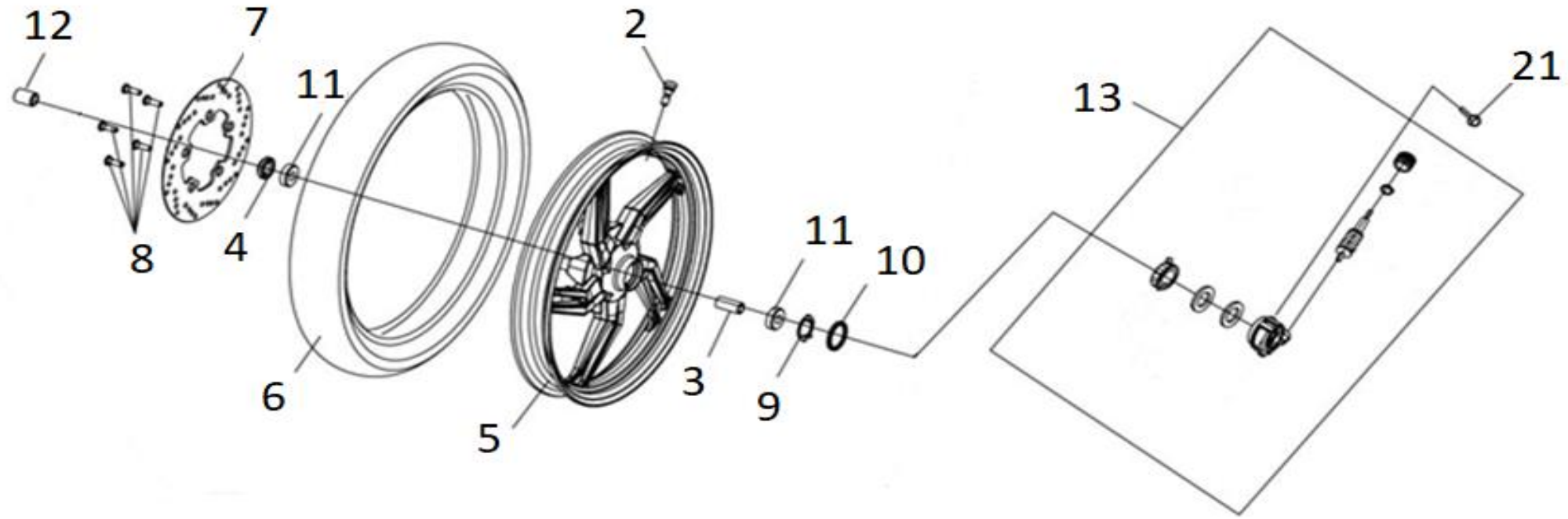
No.	Part No.	Description	Unit	Unit Price (RM / pcs)	Remark
2	51400-VF3-000	R. Fr. Cushion Ass'y	1	172.60	
3	51500-VF3-000	L. Fr. Cushion Ass'y	1	172.60	
4	5320B-VF3-000	Strg. Stem Comp. Set	1	174.00	
8	45157-VF3-000	Brake Hose Clamper A	1	3.10	
9	94050-06080	Flange Nut 6 mm	2	1.40	
10	90110-VVC-0000	Special Screw 6*16 mm	2	1.70	
11	53212-M9Q-000-CN2	Cone Race (Strg. Bottom)	1	24.60	
12	53214-M9Q-0000	Strg. Dust Seal	1	1.10	
13	53215-M9Q-0000	Strg. Dust Seal Washer	1	1.10	
15	45451-N02-000	Wire Grommet	1	2.90	
17	61100-VF3-000-BKE	Fr Fender (BU-4079S/GY-098U)	1	93.30	V1 : BKE - Blue
17	61100-VF3-000-KKE	Fr Fender (BK-501U/GY-098U)	1	93.30	V1 : KKE - Black
17	61100-VF3-000-RKE	Fr Fender (R-3089S/GY-098U)	1	93.30	V1 : RKE - Red
17	61100-VF3-000-DEK	Fr Fender (VBM-2020S/BK-501U)	1	93.30	V2 : DEK - Blue
17	61100-VF3-000-SKT	Fr Fender (S-2082S/BK-501U)	1	93.30	V2 : SKT - Silver
17	61100-VF3-000-RKT	Fr Fender (R-3089S/BK-501U)	1	93.30	V2 : RKT - Red
17	61100-VF3-000-YKT	Fr Fender (Y-7067S/BK-501U)	1	93.30	V2 : YKT - Gold

F03 FR. FENDER ASSY - FR. R. CUSHION ASSY



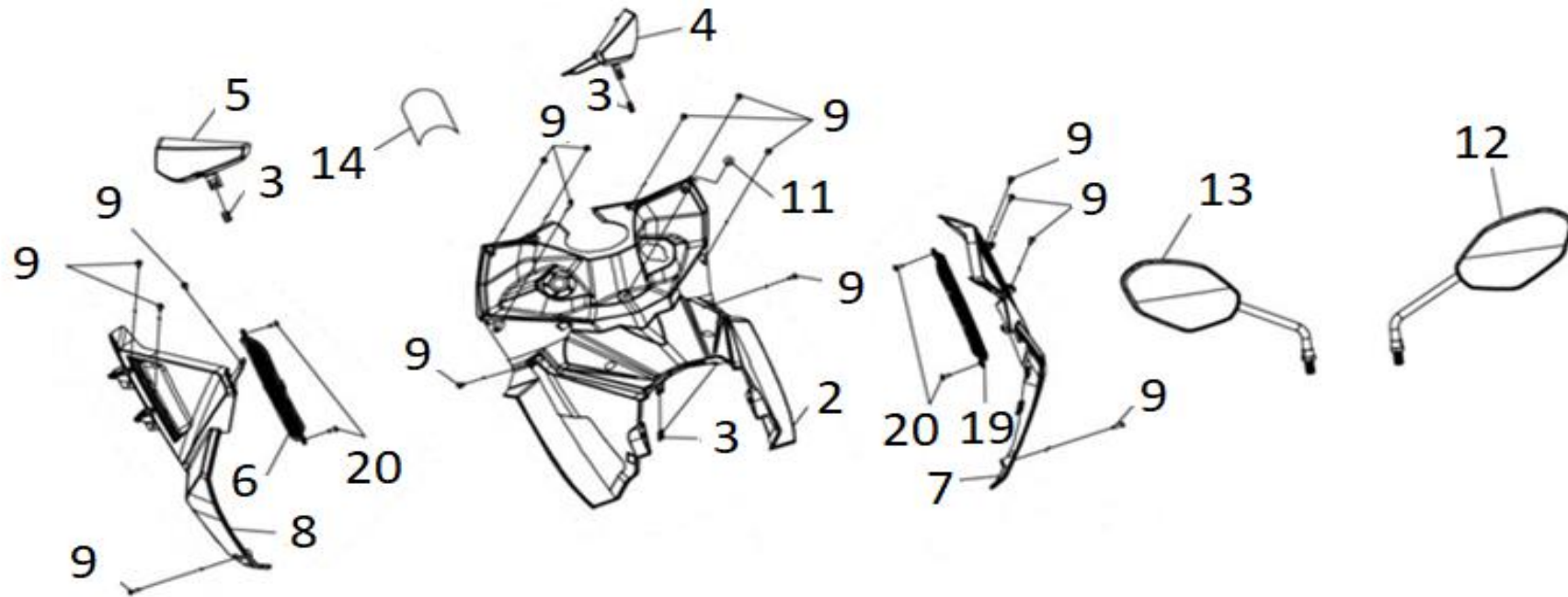
No.	Part No.	Description	Unit	Unit Price (RM / pcs)	Remark
18	33741-F62-100	Side Reflex Reflector	2	15.20	
19	45156-VBA-0000	Brake Hose Clamp	1	11.30	
20	45157-VA1-0001	Brake Hose Clamper B	1	3.00	
21	44301-VT5-0000	Fr. Wheel Axle	1	17.30	
22	90306-SB1-0000	Self-Lock Nut 12 mm	1	3.50	
23	95801-10050-07	Flange Bolt 10X50 mm	4	2.30	
24	96001-06010-07	Sh. Flange Bolt 6*10 mm	2	0.40	
25	90111-M8Q-0000	Flange Bolt 6 mm	2	1.30	
26	95801-06010-08	Flange Bolt 6*10 mm	1	1.20	
27	51403-APA-000	Oil Seal	2	18.70	
28	51404-APA-000	Dust Seal	2	9.20	

F04 FR. WHEEL CAST - SPEEDOMETER GEAR BOX



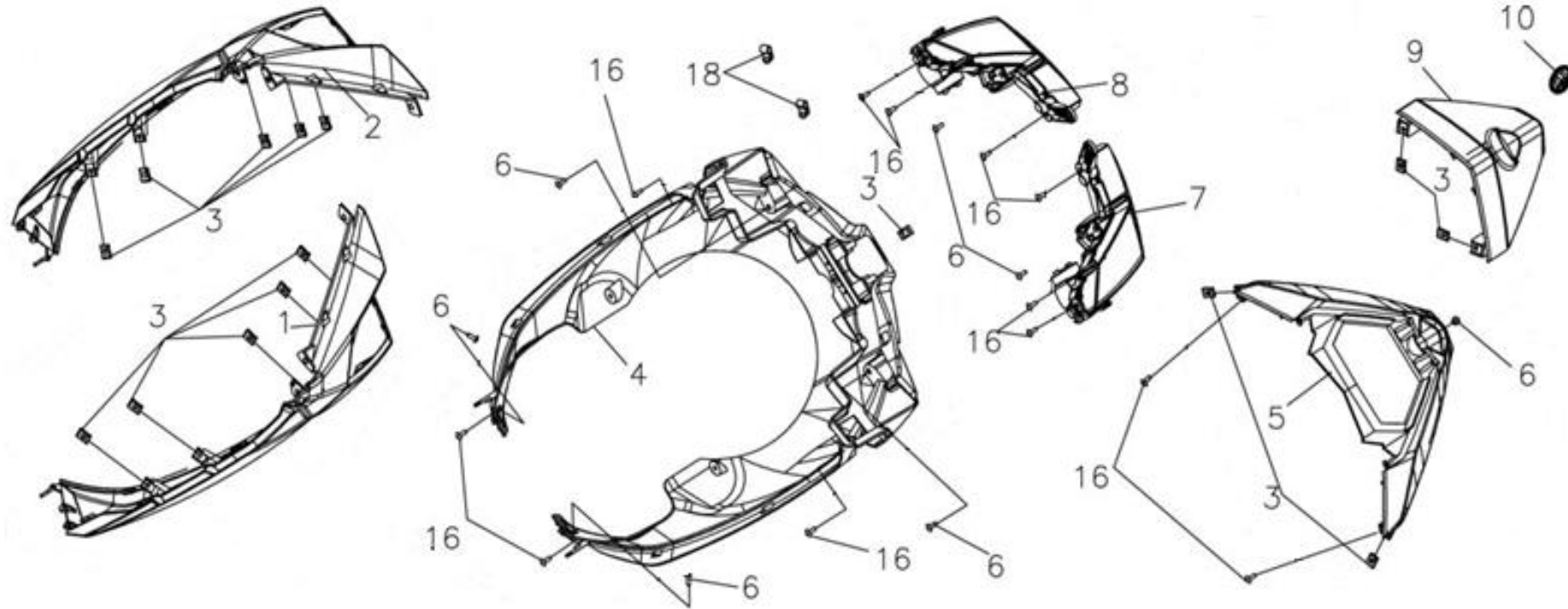
No.	Part No.	Description	Unit	Unit Price (RM / pcs)	Remark
2	42753-VVA-0000	Rim Valve	1	15.20	
3	44620-VA1-0000	Fr. Axle Dist Collar	1	3.20	
4	44680-VA1-0000	Gear Box Retainer	1	2.20	
5	44701-VF3-000-T0-VN	Fr. Wheel Cast	1	433.10	V1 use
5	44701-VF3-000-T1-VN	Fr. Wheel Cast - GOLD	1	433.10	V2 use
5	44701-VF3-000-T2-VN	Fr. Wheel Cast - WHITE	1	433.10	V2 use
6	44710-VF3-000	Fr . Tubeless Tire Ass'Y	1	151.10	
7	45121-VF3-000-VN	Fr. Brake Disk	1	88.90	
8	90106-N02-0002	Fr. Disk Bolt	5	3.50	
9	91252-030-003	Oil Seal 23X37X7 mm	1	5.90	
10	91258-410-0061-L1	Dust Seal 40X50X5 mm	1	4.40	
11	96150-63010-10-VN	Radial Bearing Ball 6301UU	2	13.40	
12	44311-VF3-000	Fr Wheel Side Collar	1	6.60	
13	44800-VA1-0001	Speedometer Gear Box Ass'y	1	47.10	
21	93891-05022-07	Washer Screw 5X20 mm	1	0.80	

F05 MAIN PIPE COVER ASSY - MIRROR ASSY



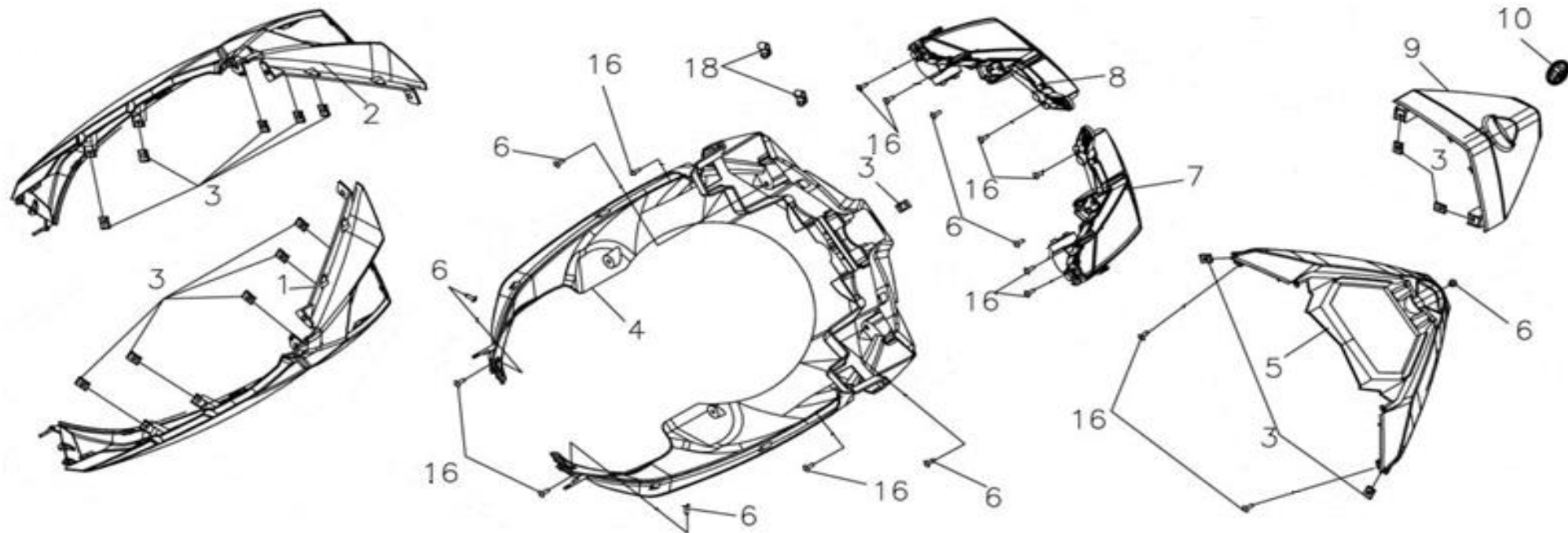
No.	Part No.	Description	Unit	Unit Price (RM / pcs)	Remark
2	64101-VF3-000	Main Pipe Cover	1	38.30	
3	90302-SA4-003B	Nut Spring 4Mm	4	0.80	
4	64303-VF3-000-KT	R. Main Pipe Inner Cover (BK-501U)	1	26.70	V1,V2 : KT - Black
5	64304-VF3-000-KT	L. Main Pipe Inner Cover (BK-501U)	1	26.70	V1,V2 : KT - Black
6	83611-VF3-000-VN	L. Side Cover Grille	1	17.70	
7	83510-VF3-000-ST	R. Side Cover (S-2082S)	1	50.00	V1 : ST - Silver
7	83510-VF3-000-KT	R. Side Cover (BK-501U)	1	50.00	V2 : KT - Black
8	83610-VF3-000-ST	L. Side Cover (S-2082S)	1	50.00	V1 : ST - Silver
8	83610-VF3-000-KT	L. Side Cover (BK-501U)	1	50.00	V2 : KT - Black
9	93903-44480	Tapping Screw 4*12 mm	16	0.70	
11	90110-G22-0001	Special Screw 6*14 mm	1	1.30	
12	88110-VE1-0000	R. Back Mirror Ass'y	1	23.80	
13	88120-VE1-0000	L. Back Mirror Ass'y	1	23.80	
14	64102-VF3-000	Main Pipe Joint Cap	1	2.00	
19	83511-VF3-000-VN	R. Side Cover Grille	1	17.70	
20	93903-34320	Tapping Screw 4*12 mm	4	0.90	

F06 R. FR. COVER - L. FR. COVER



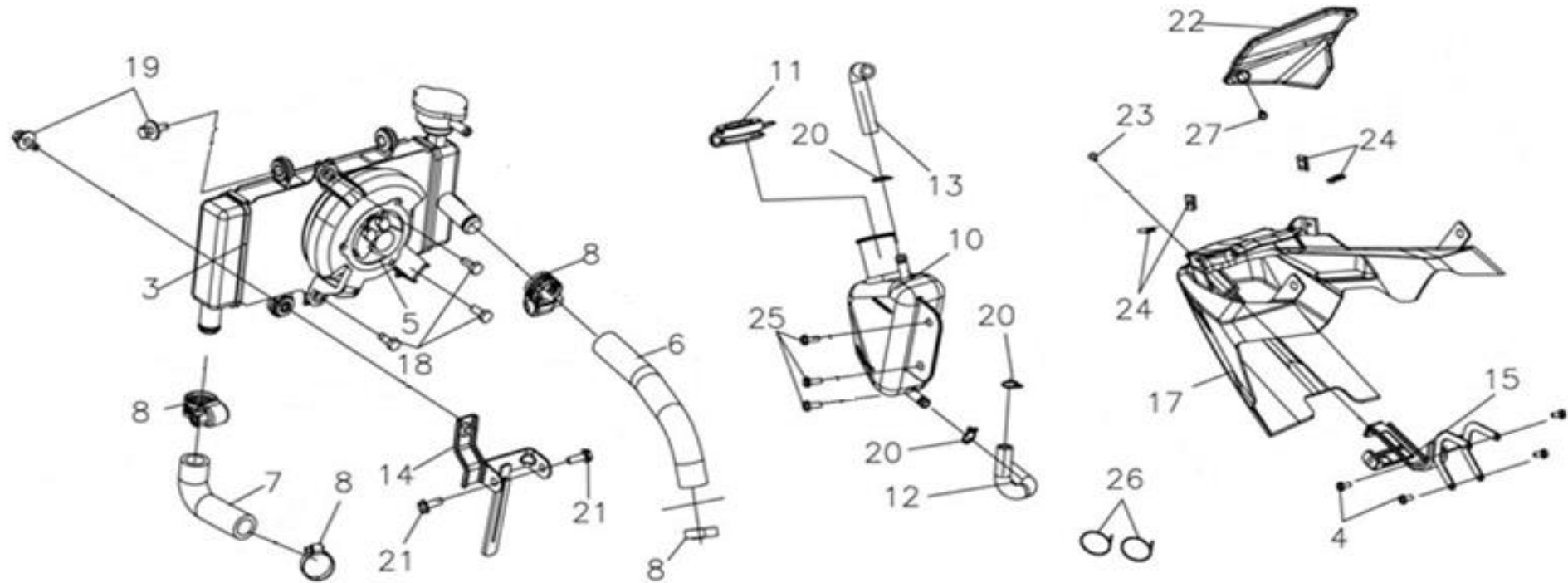
No.	Part No.	Description	QTY	QTY / PCS (KIT / PCK)	Remark
1	64301-VF3-000-DK	R. Fr. Cover (DU-4079S)	1	66.60	V1 : DK - Blue
1	64301-VF3-000-KT	R. Fr. Cover (BK-501U)		66.60	V1 : KT - Black
1	64301-VF3-000-TR	R. Fr. Cover (R-3089S)		66.60	V1 : TR - Red
1	64301-VF3-000-KC	R. Fr. Cover (BK-001C)		66.60	V2 : KC - Black
2	64302-VF3-000-DK	L. Fr. Cover (BU-4079S)	1	66.60	V1 : DK - Blue
2	64302-VF3-000-KT	L. Fr. Cover (BK-501U)	1	66.60	V1 : KT - Black
2	64302-VF3-000-TR	L. Fr. Cover (R-3089S)	1	66.60	V1 : TR - Red
2	64302-VF3-000-KC	L. Fr. Cover (BK-001C)	1	66.60	V2 : KC - Black
3	90302-SA4-003B	Nut Spring 4 mm	15	0.80	
4	64500-VF3-000	Fr. Under Spoiler	1	44.70	
5	64311-VF3-000-SV	Fr. Garnish (S-420)	1	39.90	V1 : SV - Silver
5	64311-VF3-000-KC	Fr. Garnish (BK-001C)	1	39.90	V2 : KC - Black
6	93903-44480	Tapping Screw 4*16 mm	7	0.70	
7	33400-VF3-000-VN	Fr. R. Winker Ass'y	1	131.60	
8	33450-VF3-000-VN	Fr. L. Winker Ass'y	1	131.60	

F06 R. FR. COVER - L. FR. COVER



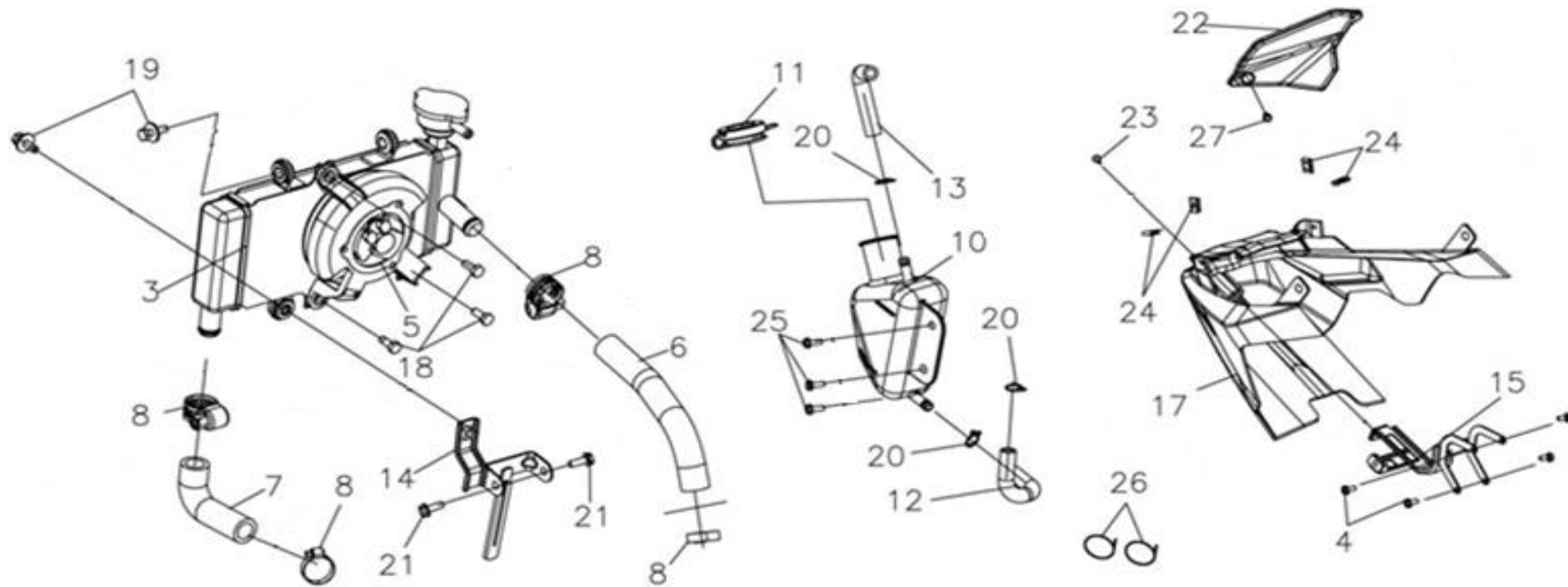
No.	Part No.	Description	Unit	Unit Price (RM / pcs)	Remark
9	64310-VF3-000-KU	Fr. Top Cover	1	36.60	V1 : KU - Matt Grey V2 : KT - Black
9	64310-VF3-000-KT	Fr. Top Cover	1	36.60	
10	87554-AZA-000	SYM Logo (40 AL)	1	16.70	
16	93903-34320	Tapping Screw 4*12 mm	12	0.90	
18	94592-A5W-0000	Cable Clamp (1/4 ")	2	1.80	

F07 RADIATOR SET - UNDER SPOILER



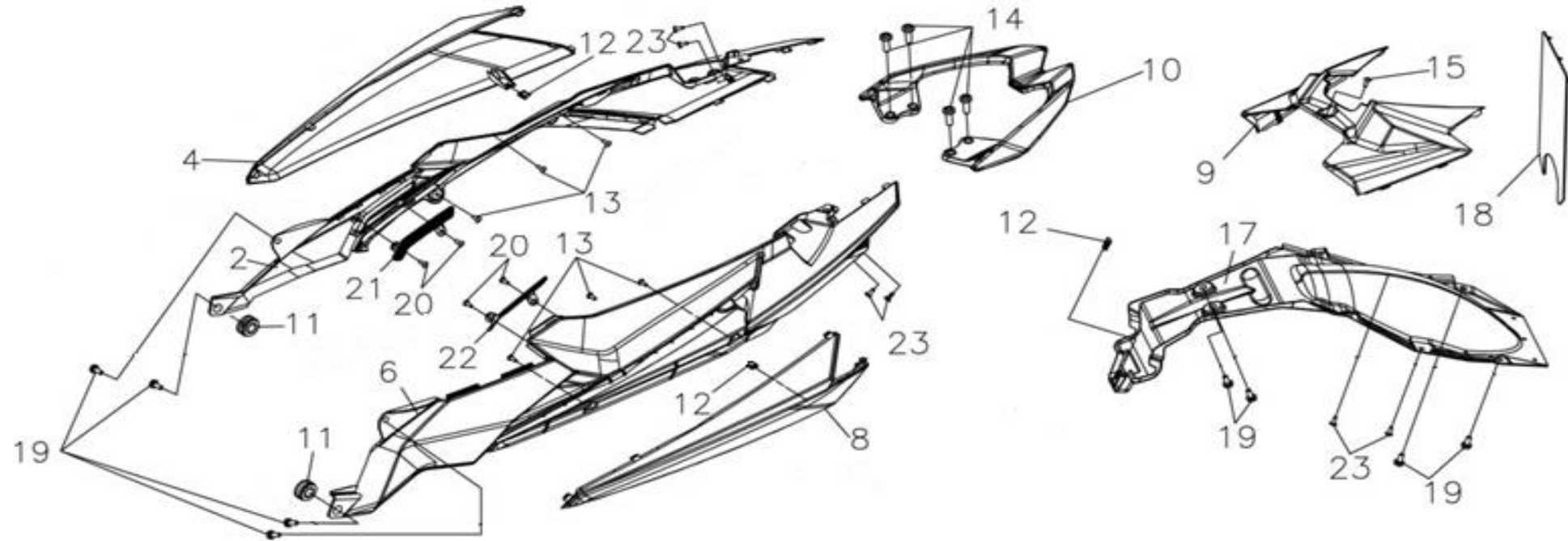
No.	Part No.	Description	Unit	Unit Price (RM / pcs)	Remark
3	19010-VF3-000	Radiator Comp.	1	431.60	
4	96001-06012-07	Sh. Flange Bolt 6*12 mm	4	0.40	
5	19020-VF3-000	Shroud Ass'y	1	224.50	
6	19501-VF3-000	Radiator Inlet Water Hose	1	23.40	
7	19503-VF3-000	Radiator Outlet Water Hose	1	16.00	
8	19505-VF3-000	Tube Clamp D23	2	3.10	
10	19101-VF3-000-VN	Reserve Tank	1	25.40	
11	19104-M9Q-000	Reserve Tank Cap	1	6.20	
12	19507-VF3-000	Res. Tank Water Tube A	1	42.40	
13	19509-VF3-000	Res. Tank Water Tube B	1	21.70	
14	50267-VF3-000	Reserve Tank Stay B	1	11.70	
15	50261-VF3-000	Under Spoilder Stay A	1	21.70	
17	64300-VF3-000-KU	Under Spoiler	1	25.00	
18	93401-06016-07	Washer Bolt 6*16 mm	3	0.90	
19	93404-06022-07	Washer Bolt 6X22 mm	2	0.90	
20	95002-02130	Tube Clip B12.5 mm	3	1.40	

F07 RADIATOR SET - UNDER SPOILER



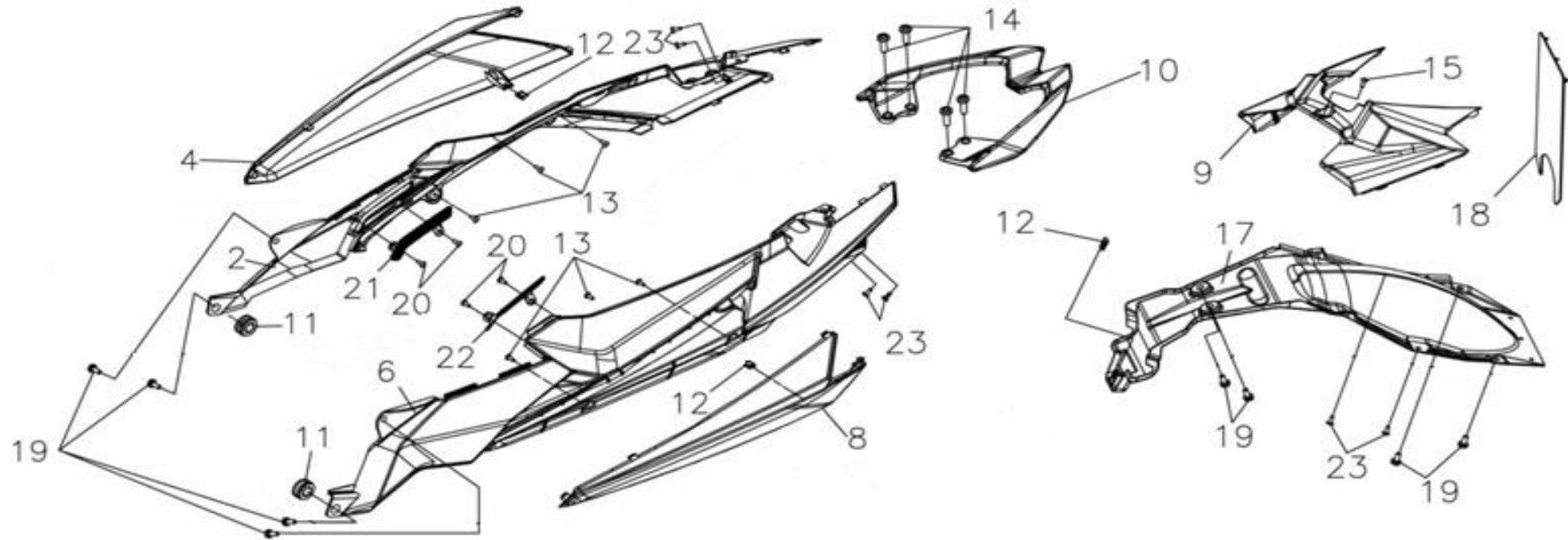
No.	Part No.	Description	Unit	Unit Price (RM / pcs)	Remark
21	95801-06016-08	Flange Bolt 6*16 mm	2	2.10	
22	50350-VF3-000-VN	R. Eng. Hanger Protector	1	30.20	
23	90110-G22-0001	Special Screw 6*14 mm	1	1.30	
24	90302-SA4-003B	Nut Spring 4 mm	1	0.80	
25	90112-M8Q-0000-VN	Flange Bolt 6 mm	3	1.00	
26	32161-T15-000	Wire Band 250 mm	2	5.90	
27	93891-06012-07	Washer Screw 6X12 mm	1	0.90	

F08 R. L. BODY COVER - RR. CARRIER



No.	Part No.	Description	Unit	Unit Price (RM / pcs)	Remark
2	83500-VF3-000-ST	R. Body Cover (S-2082S)	1	69.90	V1 : ST - Silver
2	83500-VF3-000-KT	R. Body Cover (BK-501U)	1	69.90	V2 : KT - Black
4	83550-VF3-000-DK	R. Body Lower Cover (DU-4079S)	1	39.90	V1 : DK - Blue
4	83550-VF3-000-KT	R. Body Lower Cover (BK-501U)	1	39.90	V1 : KT - Black
4	83550-VF3-000-TR	R. Body Lower Cover (R-3089S)	1	39.90	V1 : TR - Red
4	83550-VF3-000-KC	R. Body Lower Cover (BK-001C)	1	39.90	V2 : KC - Black
6	83600-VF3-000-ST	L. Body Cover (S-2082S)	1	69.90	V1 : ST - Silver
6	83600-VF3-000-KT	L. Body Cover (BK-501U)	1	69.90	V2 : KT - Black
8	83650-VF3-000-DK	L. Body Lower Cover (DU-4079S)	1	39.90	V1 : DK - Blue
8	83650-VF3-000-KT	L. Body Lower Cover (BK-501U)	1	39.90	V1 : KT - Black
8	83650-VF3-000-TR	L. Body Lower Cover (R-3089S)	1	39.90	V1 : TR - Red
8	83650-VF3-000-KC	L. Body Lower Cover (BK-001C)	1	39.90	V2 : KC - Black
9	64100-VF3-000	Center Cover	1	17.40	
10	81200-VF3-000-DK	Rr. Carrier (BU-4079S/S)	1	103.00	V1 : DK - Blue
10	81200-VF3-000-KT	Rr. Carrier (BK-501U/S)	1	103.00	V1 : KT - Black
10	81200-VF3-000-TR	Rr. Carrier (R-3089S/S)	1	103.00	V1,V2 : TR - Red

F08 R. L. BODY COVER - RR. CARRIER

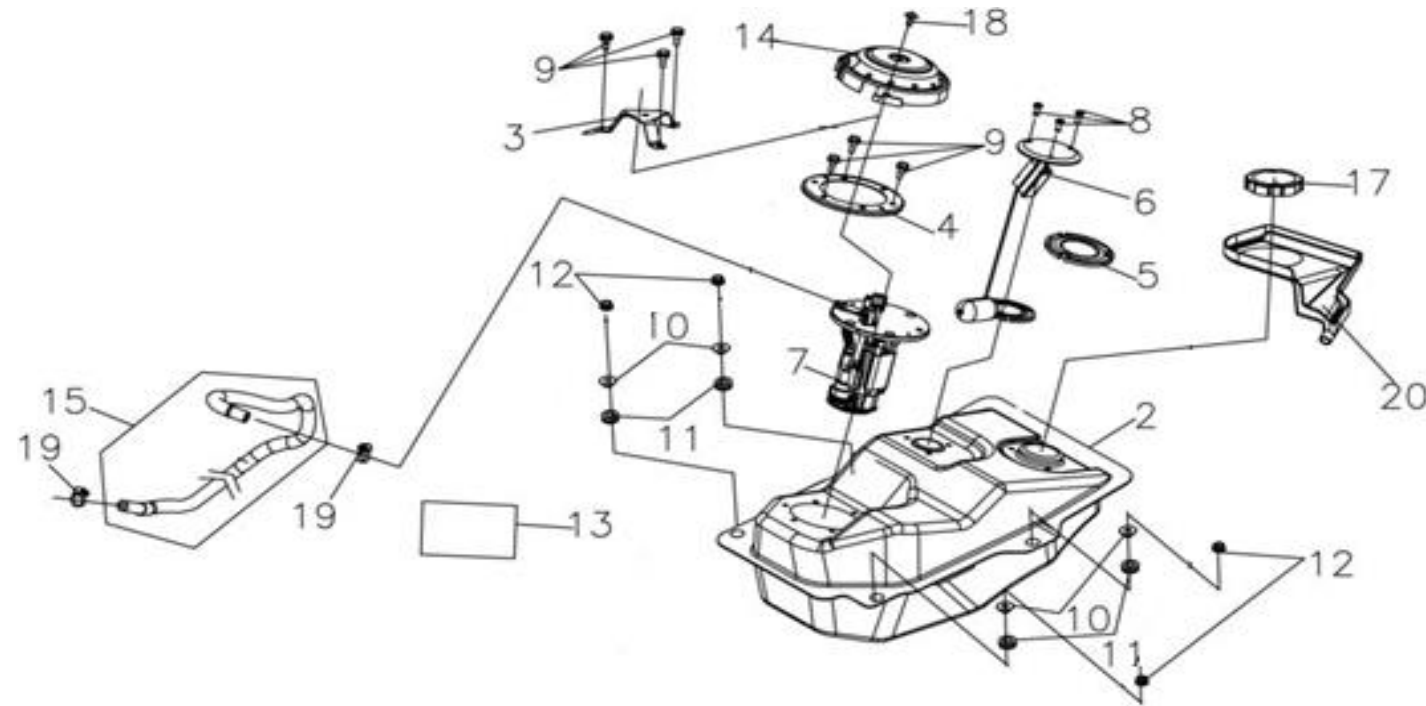


No.	Part No.	Description	Unit	Unit Price (RM / pcs)	Remark
10	81200-VF3-000-DH	Rr. Carrier (VBM-2020(S))	1	103.00	V2 : DH - Blue
10	81200-VF3-000-SV	Rr. Carrier	1	103.00	V2 : SV - Silver
10	81200-VF3-000-YO	Rr. Carrier (Y-7067S/S)	1	103.00	V2 : YO - Gold
11	64304-X01-000	Fr. Cover Rubber	1	3.00	
12	90302-SA4-003B	Nut Spring 4 mm	3	0.80	
13	93903-35220	Tapping Screw 5*12 mm	6	1.20	
14	90186-VA6-0001	Shocket Bolt 8X25 mm	4	2.50	
15	90110-G22-0001	Special Screw 6*14 mm	1	1.30	
17	80106-VF3-000	Rr. Inner Fender	1	22.30	
18	80103-VF3-000	Splash Guard Plate A	1	8.20	
19	93404-06012-07	Washer Bolt 6X12 mm	8	2.10	
20	93903-34320	Tapping Screw 4*12 mm	4	0.90	
21	83501-VF3-000-VN	R. Body Cover Grille	1	21.30	
22	83601-VF3-000-VN	L. Body Cover Grille	1	21.30	
23	93903-44480	Tapping Screw 4*16 mm	6	0.70	

F09 FUEL TANK ASSY - FUEL PUMP ASSY



7.1

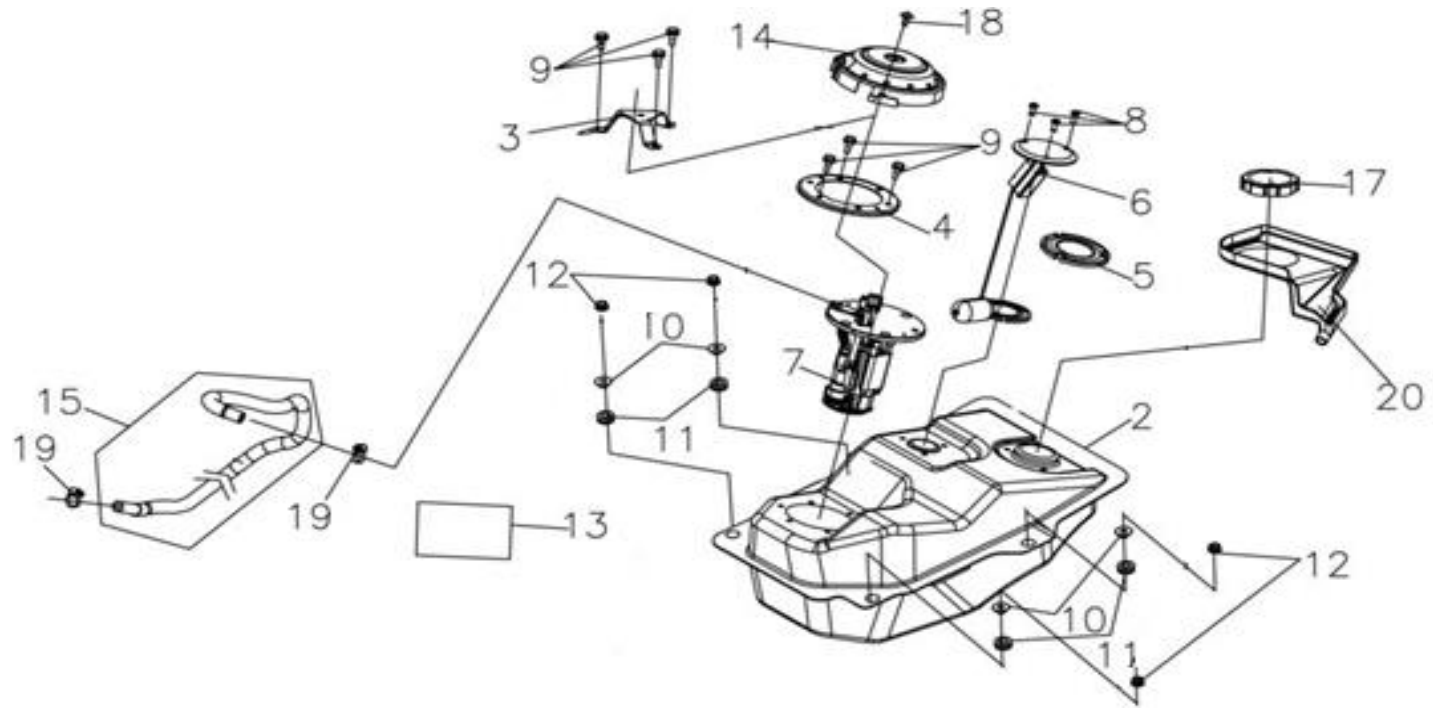


No.	Part No.	Description	Unit	Unit Price (RM / pcs)	Remark
2	17500-VF3-000	Fuel Tank Comp.	1	215.90	
3	17502-VE1-0000	Fuel Pump Stay A	1	8.20	
4	17503-VE1-0000	Fuel Pump Stay B	1	6.10	
5	37801-X01-0001	Base Packing	1	4.60	
6	37800-VF3-000	Fuel Unit Ass'y	1	52.80	
7	16700-FSA-0002	Fuel Pump Ass'y	1	329.90	
7-1	16711-VE1-0000	Fuel Filter	1	23.00	
8	93892-05012-08	Washer Screw 5*12 mm	1	2.60	
9	90116-VVE-0001	Fuel Unit Bolt	6	2.30	
10	80107-VE1-0000	Fuel Tank Collar	4	1.10	
11	80108-VE1-0000	Fuel Tank Rubber	4	1.10	
12	94050-06080	Flange Nut 6 mm	4	1.40	
13	81219-VB1-0000	Washing Motor Caution Label	1	0.50	
14	17501-VE1-0002	Fuel Tank Top Cover	1	2.30	
15	17508-VF3-000	Fuel Hose	1	84.70	
17	17620-VA3-0000	Fuel Filler Cap Ass'y	1	19.60	

F09 FUEL TANK ASSY - FUEL PUMP ASSY

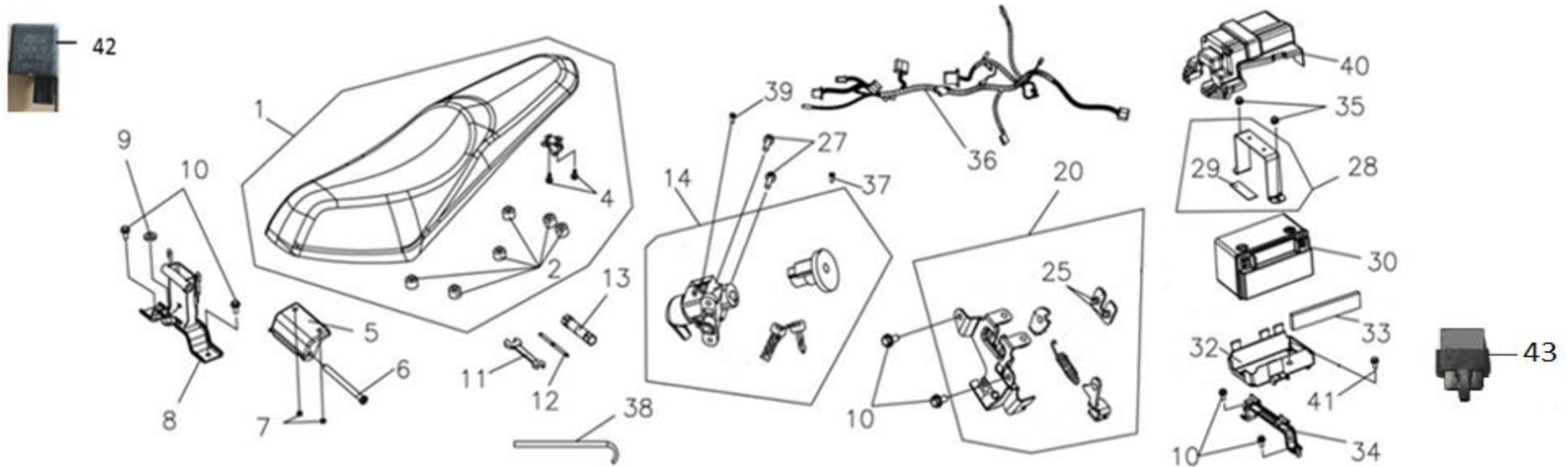


7.1



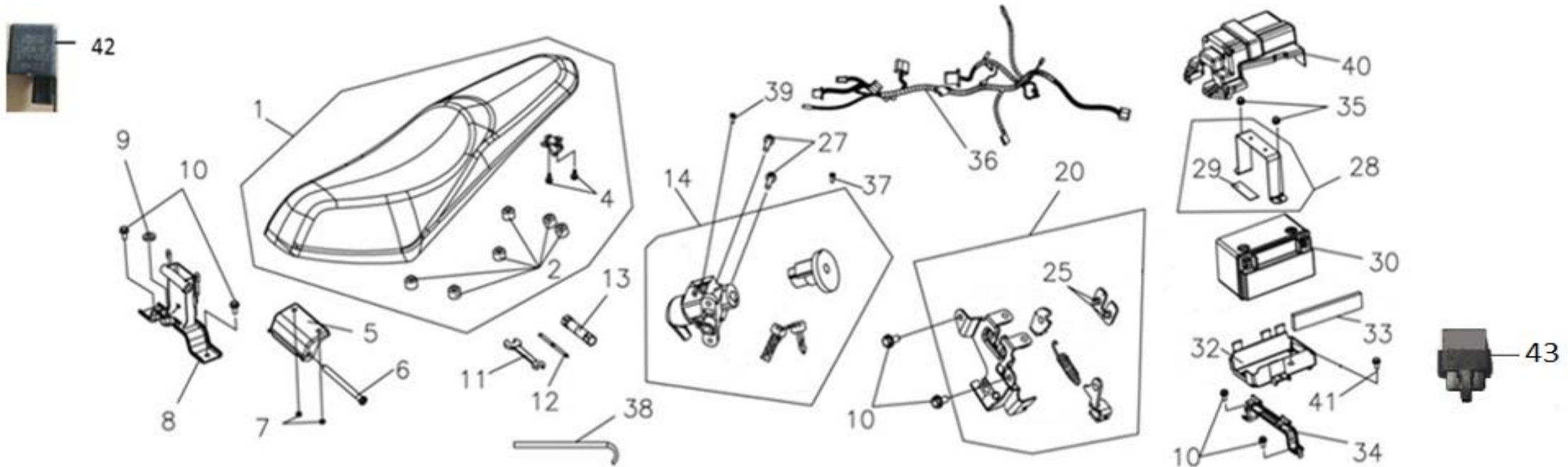
No.	Part No.	Description	Unit	Unit Price (RM / pcs)	Remark
18	90118-T15-900	Washer Screw 5*14 mm	1	4.80	
19	19505-F81-000	Hose Clamp	2	4.10	
20	17504-VF3-0000	Fuel Tank Cover	1	19.10	

F10 DOUBLE SEAT COMP - KEY SET



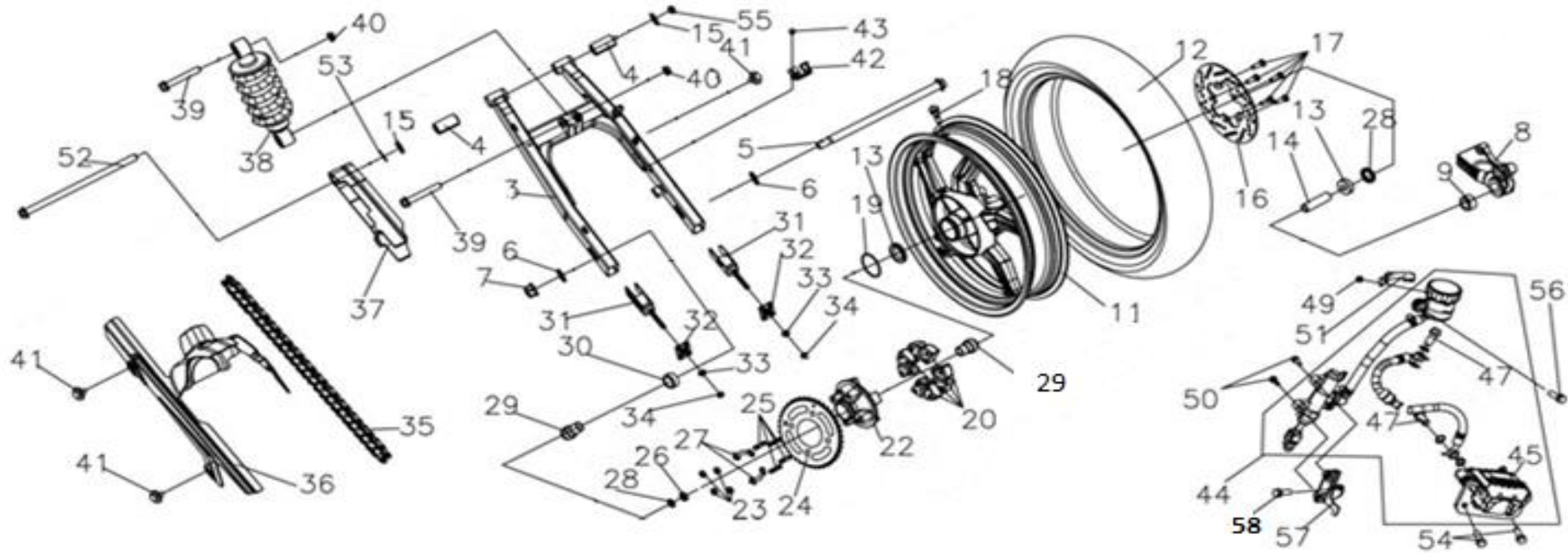
No.	Part No.	Description	Unit	Unit Price (RM / pcs)	Remark
1	77200-VF3-900	Double Seat Comp.	1	170.00	V2 use
2	77206-N01-0000	Seat Strp Rubber	6	1.10	
4	95801-06012-07	Flange Bolt 6X12 mm	2	1.20	
5	77201-T36-000	Seat Hinge	1	11.00	
6	90105-T36-0000	Hinge Pin	1	12.40	
7	94050-05080	Flange Nut 5 mm	2	1.20	
8	77110-VF3-000	Seat Hinge Stay	1	34.60	
9	77226-M3F-0000	Damp Rubber	1	2.30	
10	95801-06012-07	Flange Bolt 6X12 mm	6	1.20	
11	99001-10140-0A	Spanner 10*14 (2 End)	1	3.90	
12	89102-VWA-0000	Drive Plus Minus 2	1	2.80	
13	89216-A02-0100	Spring Plug Virech	1	3.90	
14	35010-VF3-000	Key Set	1	142.50	
20	77235-VF3-000	Seat Catch Comp.	1	26.00	
25	77234-VT5-0000	Seat Lock Spring	1	3.60	

F10 DOUBLE SEAT COMP - KEY SET



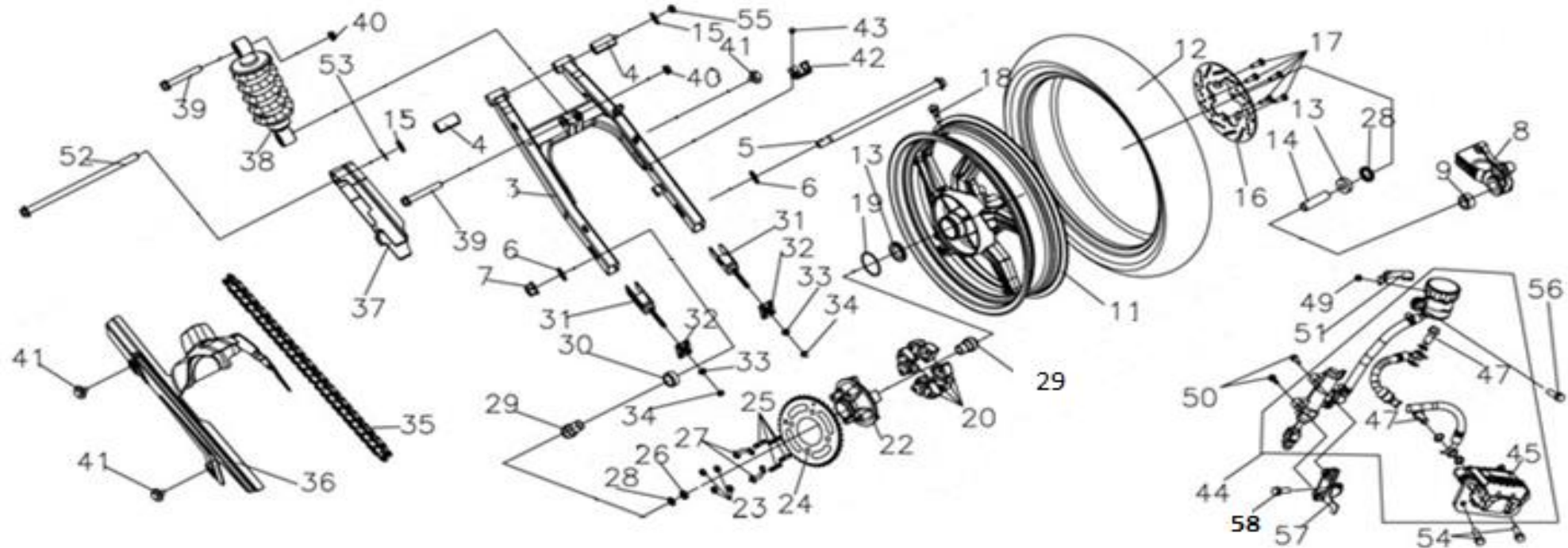
No.	Part No.	Description	Unit	Unit Price (RM / pcs)	Remark
27	95801-06018-07	Flange Bolt 6*18 mm	2	1.20	
28	50324-VF3-000	Battery Band	1	26.40	
29	83619-VF3-000	Battery Band Sponge	1	1.70	
30	AC-YTX7A-BS(HW)	Battery Assy (YTX7A-Bs)	1	126.00	
32	50327-VF3-000	Battery Case	1	6.20	
33	83619-VF3-000	Battery Band Sponge	1	1.70	
34	50325-VF3-000	Battery Case Stay Comp.	1	29.90	
35	95801-06016-08	Flange Bolt 6*16 mm	1	2.10	
36	32100-VF3-000	Wire Harness	1	453.20	
37	93891-05008-08	Screw Washer 5*8 mm	1	1.20	
38	77245-VF3-000	Seat Lock Cable	1	27.20	
39	93892-05012-08	Washer Screw 5*12 mm	1	2.60	
40	80102-VF3-000	Battery Cover	1	45.40	
41	90110-G22-0001	Special Screw 6*14 mm	1	1.30	
42	3380A-VF3-000	Lighting Control Unit Ass'y	1	47.50	
43	3850A-HLA-100-A2	Elec. Relay Ass'y	3	59.40	

F11 RR. TIRE TUBELESS - RR. FORK COMP



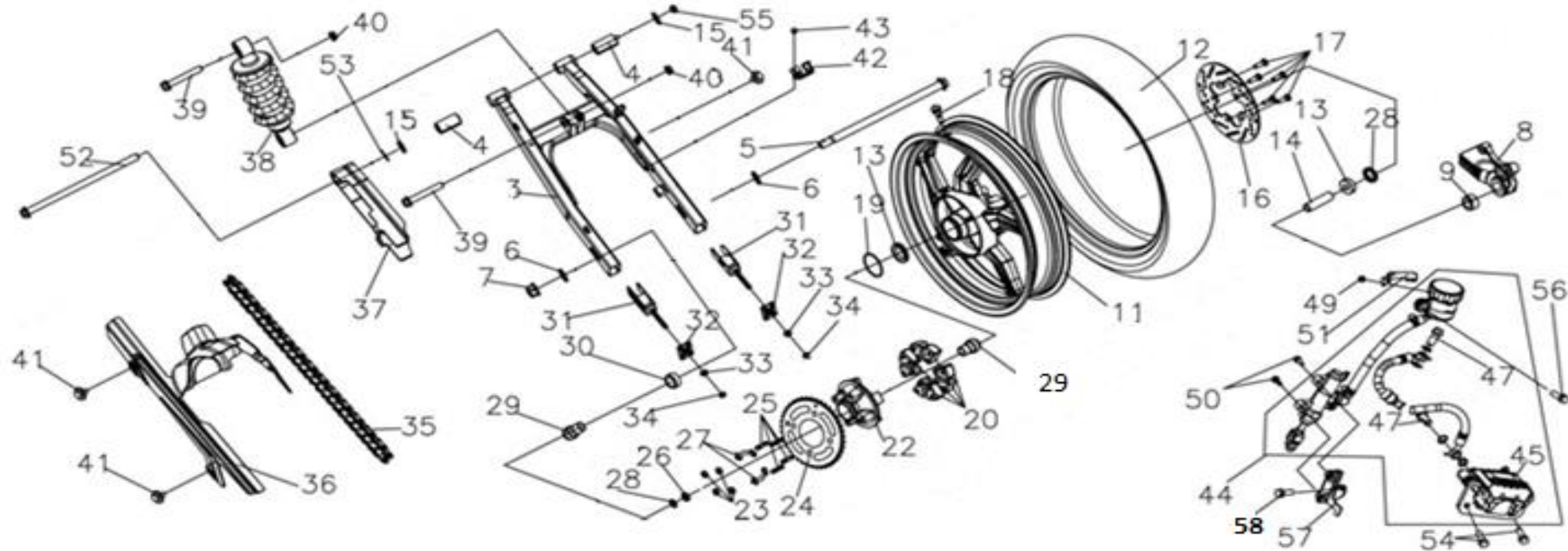
No.	Part No.	Description	Unit	Unit Price (RM / pcs)	Remark
3	52100-VF3-000	Rr. Fork Comp.	1	202.90	
4	52147-KK3-8300	Rear Fork Rubber Bush	2	16.20	
5	42301-B7A-000	Rr. Wheel Axle	1	63.30	
6	94101-16000	Plain Washer 16 mm	2	2.60	
7	90304-B7A-000	Rr. Axle U Nut 16 mm	1	28.90	
8	52105-VF3-000	Rr. Brake Brkt.	1	62.60	
9	42313-B7A-000	Rr. Rh Wheel Side Collar	1	13.90	
11	42701-VF3-000-T0-VN	Rr. Wheel Cast	1	433.10	V1 use
11	42701-VF3-000-T1-VN	Rr. Wheel Cast - GOLD	1	433.10	V2 use
11	42701-VF3-000-T2-VN	Rr. Wheel Cast	1	549.70	V2 use
12	42710-VE5-0000	Rr. Tubeless Tire Ass'y (120 / 70 - 17)	1	228.80	
13	96150-63030-10	Ball Bearing 6303 (UU)	2	28.90	
14	42620-B7A-000	Distance Collar	1	16.00	
15	94101-VF3-000	Plain Washer 14 mm	2	1.30	
16	43121-VF3-000-VN	Rr. Brake Disk	1	72.70	
17	90106-N02-0002	Fr. Disk Bolt	5	3.50	

F11 RR. TIRE TUBELESS - RR. FORK COMP



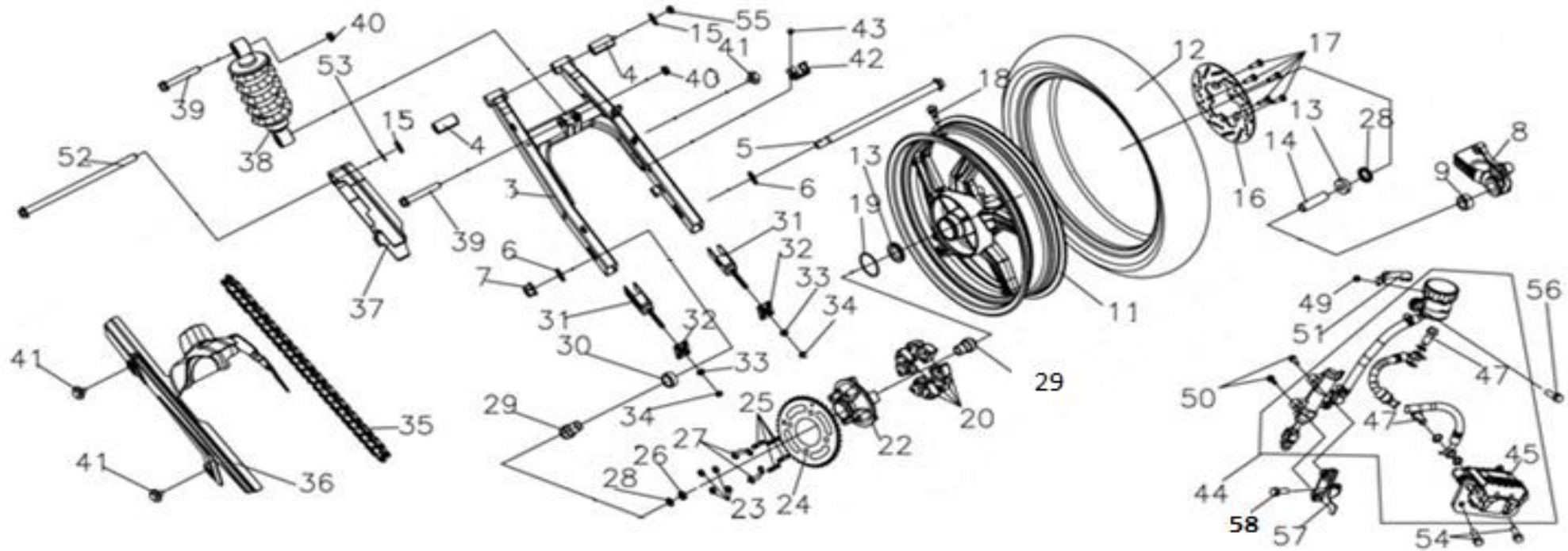
No.	Part No.	Description	Unit	Unit Price (RM / pcs)	Remark
18	42753-VVA-0000	Rim Valve	1	15.20	
19	42653-B8G-000	O-Ring 52.7X2.5 mm	1	2.60	
20	41241-B8G-000-A	Rr. Wheel Damper	1set	43.20	1set = 4pcs
22	42610-VF3-000	Final Driven Flange	1	151.30	
23	90305-BD2-000-K1	U Nut 10 mm	4	5.20	
24	41201-VF3-000	Final Driven Sprocket	1	48.90	
25	90110-BD2-000	Stud Bolt 10X23 mm	4	3.50	
26	96150-60050-10-VN	Radial Ball Bearing 6005 U	1	27.00	
27	90522-B8G-000	Tongued Washer 1.2 mm	2	2.30	
28	91252-B8G-000	Oil Seal 30X47X7 mm	2	8.70	
29	42303-B7A-900	Rear Axle Sleeve	1	18.20	
30	42304-B7A-000	Rr. Lh Wheel Side Collar	1	10.10	
31	40543-VF3-000	Chain Adjuster	2	10.90	
32	40546-VF3-000-SV	Rr. Fork End Cap	2	14.30	
33	94050-08000	Flange Nut 8 mm	2	1.30	
34	94001-08000-0S	Hex Nut 8 mm	2	0.90	

F11 RR. TIRE TUBELESS - RR. FORK COMP



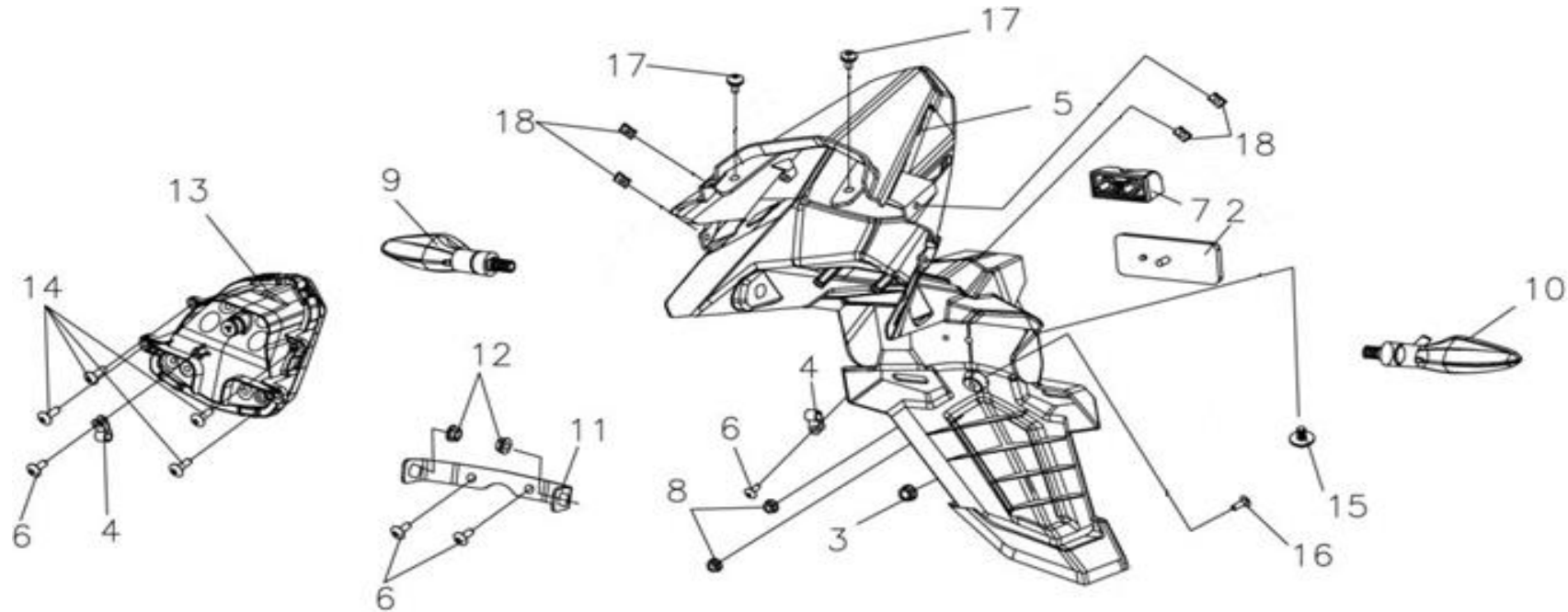
No.	Part No.	Description	Unit	Unit Price (RM / pcs)	Remark
35	40530-VF3-000	Driver Chain Sym 428H (124L)	1	49.30	
36	40510-VF3-000	Chain Cover	1	20.00	
37	40591-VF3-000	Chain Slider	1	26.00	
38	52400-VF3-000	Rr. Cushion Ass'y	1	293.60	
39	95801-10065-07	Flange Bolt 10X65 mm	2	5.30	
40	94050-10070	Flange Nut 10 mm	1	2.40	
41	93404-06012-07	Washer Bolt 6X12 mm	3	2.10	
42	43127-VF3-000	Rr. Brake Hose Clamp	1	8.20	
43	96001-06010-07	Flange Bolt 6X12 mm	2	0.40	
44	4650A-VF3-000-VN	Foot Master Cylinder Set	1	289.10	
45	43100-VF3-000-VN	Rr. Caliper Ass'y	1	237.40	
45-1	43108-BAA-000-A	RR BRAKE PAD	1	35.00	
47	90145-MS9-611	Oil Bolt 10*22 mm	2	6.60	
49	94050-05080	Flange Nut 5 mm	1	1.20	
50	95801-08032-07	Flange Bolt 8*32 mmn	2	1.30	
51	50282-VF3-000	Brake Fluid Cup Brkt.	1	7.00	

F11 RR. TIRE TUBELESS - RR. FORK COMP



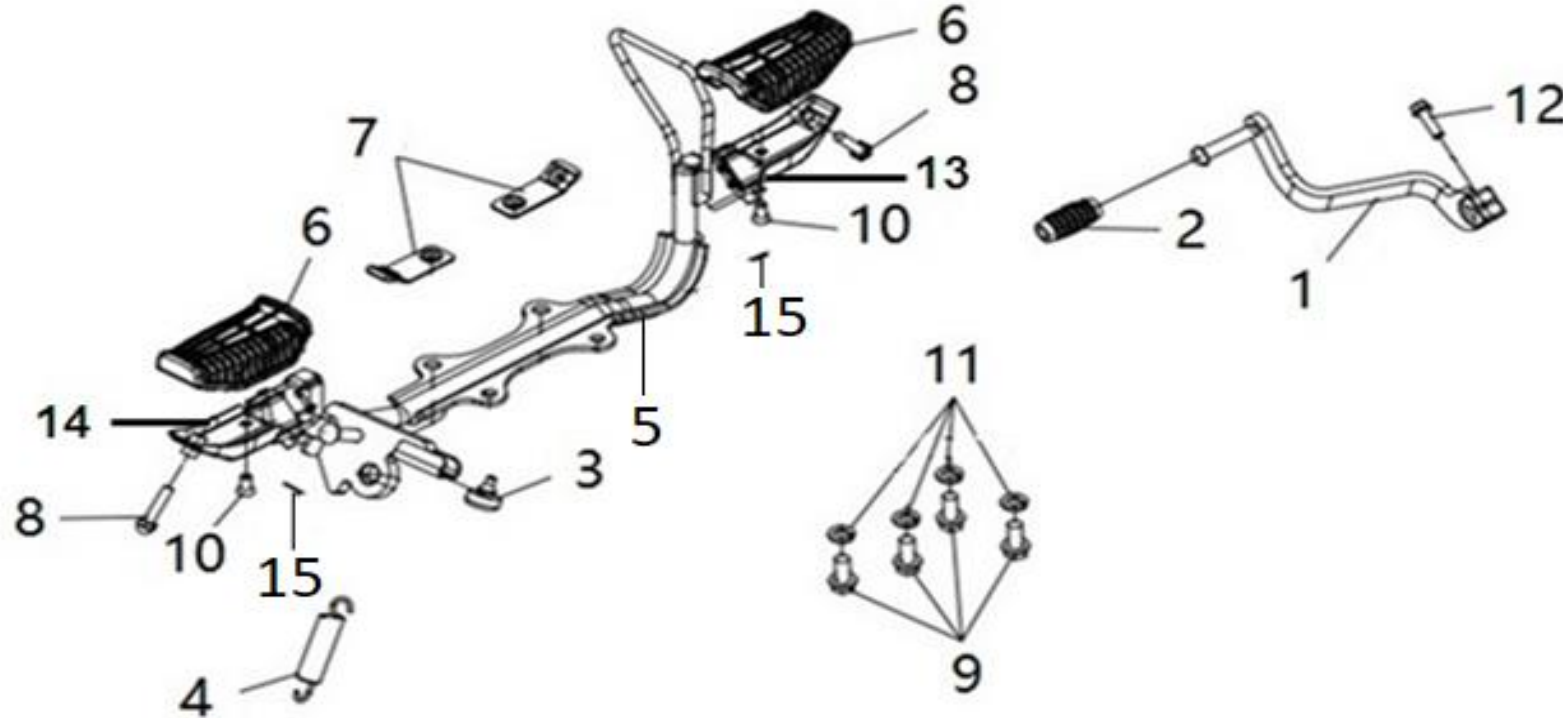
No.	Part No.	Description	Unit	Unit Price (RM / pcs)	Remark
52	90121-B9A-000	Rr Fork Pivot Bolt	1	38.90	
53	94111-14800	Spr. Washer 14mm	1	1.30	
54	90106-B7A-000	Flange Bolt 8X25 mm	2	3.50	
55	90305-GE8-003	U Nut 14 mm	1	10.70	
56	95801-06016-07	Flange Bolt 6*16 mm	1	1.10	
57	50351-VF3-000	Foot Master Cylinder Stay Comp.	1	11.70	
58	95801-06012-07	Flange Bolt 6*12mm	2	1.20	

F12 TAIL LIGHT ASSY - RR. FENDER



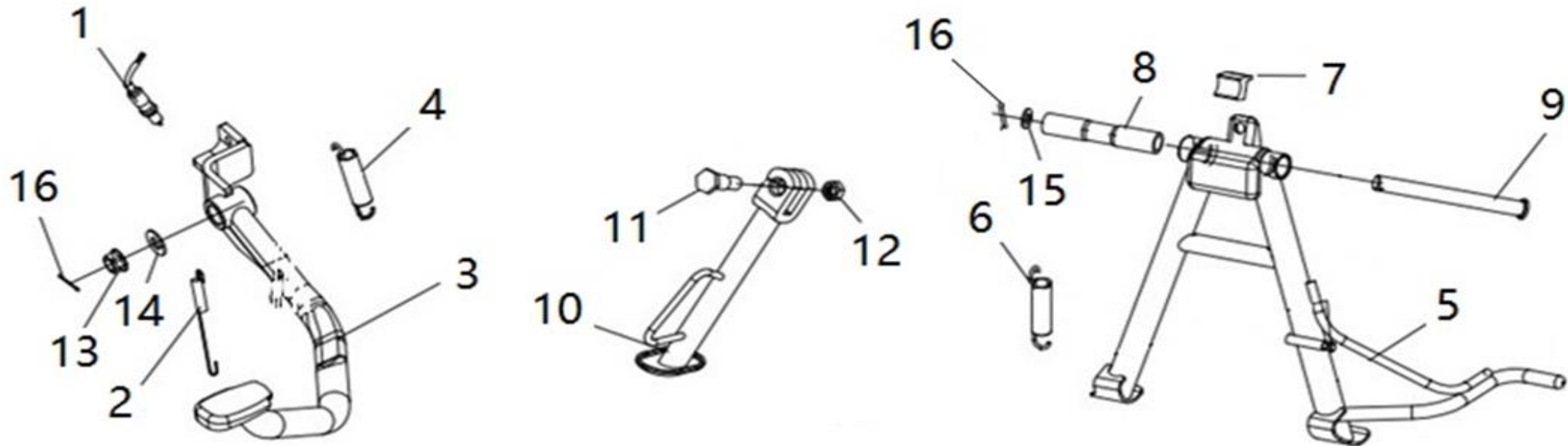
No.	Part No.	Description	Unit	Unit Price (RM / pcs)	Remark
2	33741-VT5-0000	Rr. Reflex Reflector	1	7.10	
3	94050-05080	Flange Nut 5 mm	1	1.20	
4	94592-A5W-0000	Cable Clamp (1/4)	1	1.80	
5	80100-VF3-000	Rr. Fender	1	30.60	
6	93903-34320	Tapping Screw 4*12 mm	4	0.90	
7	33740-BDA-000	License Light Ass'y	1	75.00	
8	94050-04080	Flange Nut 4 mm	2	0.50	
9	33600-VF3-000-VN	Rr. R Winker Ass'y	1	70.00	
10	33650-VF3-000-VN	Rr.L Winker Ass'y	1	70.00	
11	50162-VF3-000	Rr. Fender Brkt.	1	7.40	
12	94050-10080	Flange Nut 10 mm	2	2.15	
13	33700-VF3-000-VN	Tail Light Ass'y	1	219.90	
14	93903-34480	Tapping Screw 4*16 mm	4	1.20	
15	93404-06012-07	Washer Bolt 6X12 mm	1	2.10	
16	93903-44480	Tapping Screw 4*16 mm	1	0.70	
17	90110-G22-0001	Special Screw 6*14 mm	2	1.30	
18	90302-SA4-003B	Nut Spring 4 mm	4	0.80	

F13 STEP BAR SET



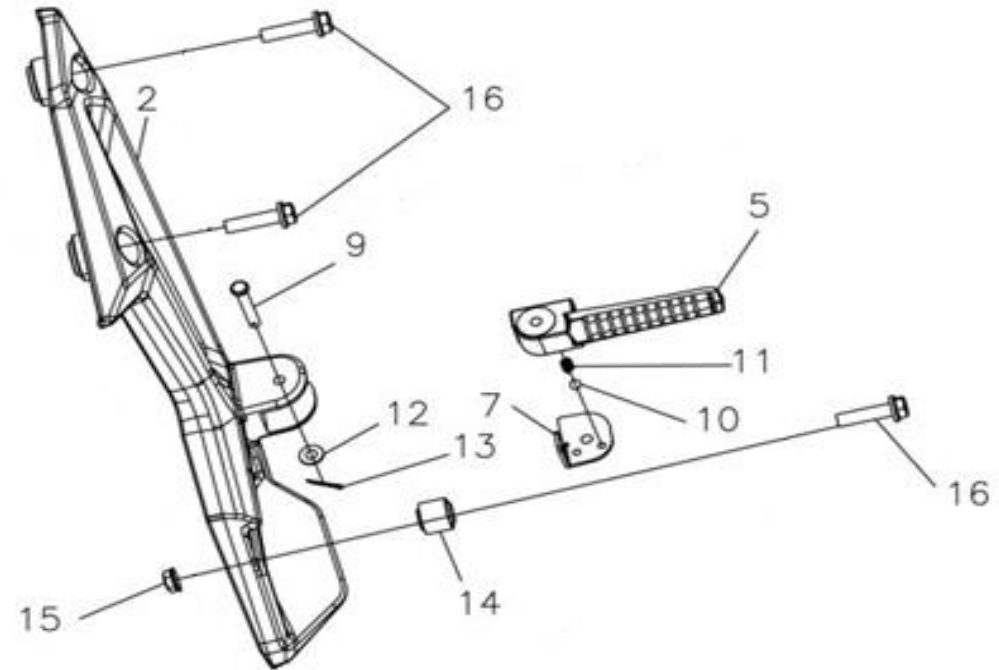
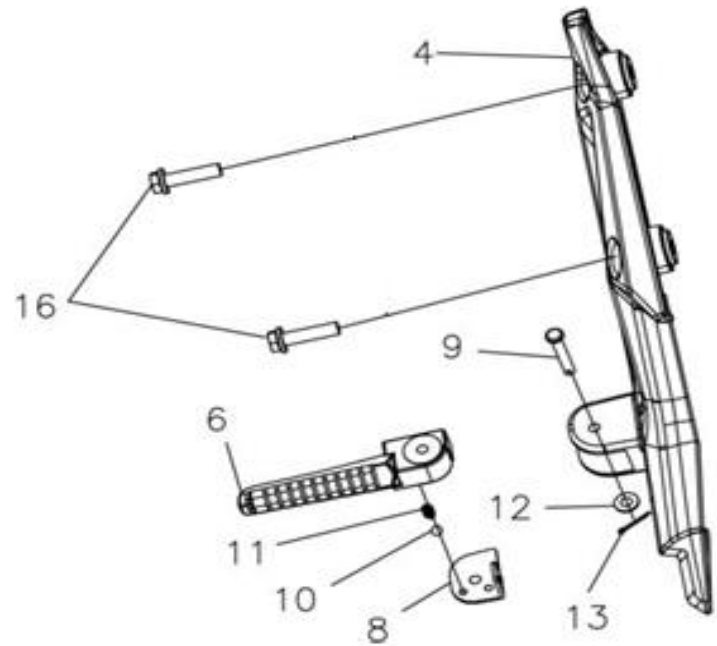
No.	Part No.	Description	Unit	Unit Price (RM / pcs)	Remark
1	24700-VF3-000	Gear Change Pedal	1	31.50	Silver
2	24781-N01-0000	Change Pedal Rubber	1	1.30	
3	50505-VF3-000	Stand Stopper Rubber	1	3.50	
4	95014-72102	Side Stand Spg.B	1	9.10	
5	5061A-VF3-000	Step Bar Assy	1	170.50	includes 50626-VF3-000 & 50627-VF3-000 (item F13-13,14)
6	50661-VBA-0000	Step Rubber	2	6.60	
7	50819-VBA-0000	Step Rubber Stopper Stay	2	3.10	
8	92501-06020-0G	Hex Cap Bolt 6*20	2	1.70	
9	93401-08020-08	Washer Blot 8*20	4	0.70	
10	93500-06010-0G	Pan Screw 6*10	2	0.60	
11	94111-08800	Spring Washer 8 Mm	4	0.40	
12	96001-06020	Sh. Flange Bolt 6*20 mm	1	1.95	
13	50626-VF3-000	R. Fr. Step Bar A'SSY	1	14.80	
14	50627-VF3-000	L. Fr. Step Bar A'SSY	1	14.80	
15	94201-16150	Split Pin 1.6*15	2	0.70	

F13-1 MAIN STAND COMP



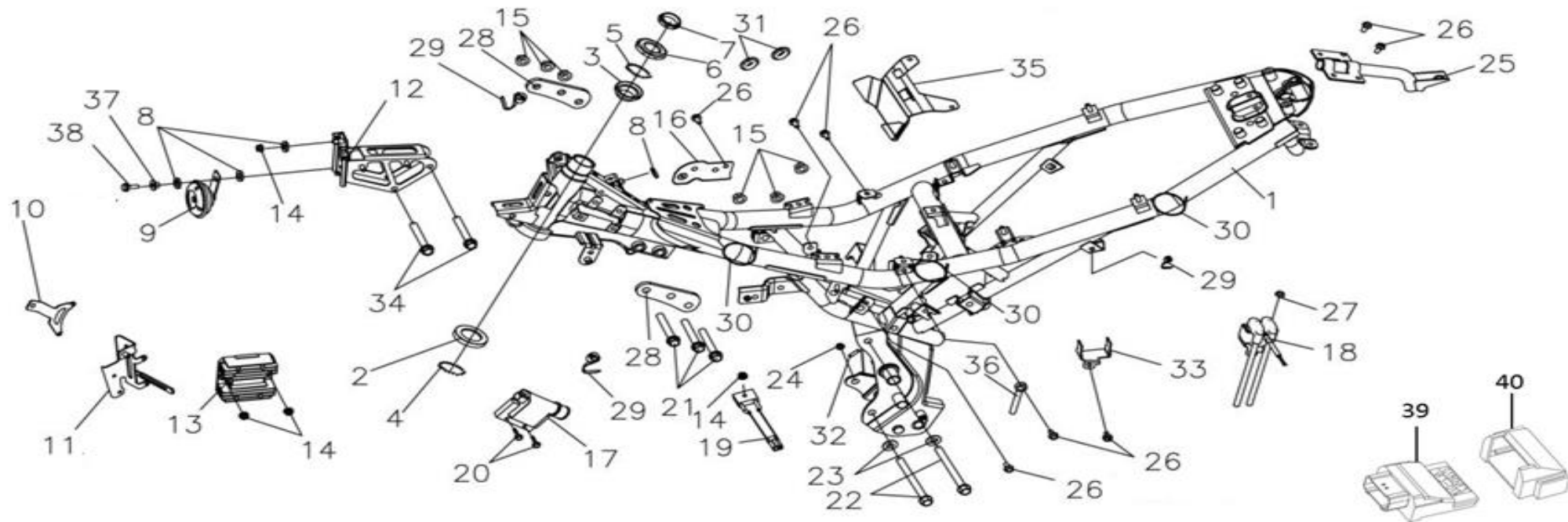
No.	Part No.	Description	Unit	Unit Price (RM / pcs)	Remark
1	35350-VBA-0000	Rr. Stop Sw. Ass'y	1	19.90	Silver
2	35357-SA5-900	Stop Sw. Spring	1	0.90	
3	46500-VF3-000	Rr. Brake Pedal Comp.	1	47.10	
4	46514-X04-0000	Brk. Pedal Spring	1	2.70	
5	50500-VF3-000	Main Stand Comp.	1	64.80	
6	50522-VF3-000	Main Stand Spg. D.	1	10.00	
7	50524-M8Q-0000	Stand Stopper Rubber	1	2.30	
8	50525-VBC-0000	Stand Distance Collar	1	5.10	
9	50526-VF3-010	Main Stand Pivot Bolt	1	8.10	
10	50530-VF3-000	Side Stand Bar Comp.	1	21.70	
11	90108-B06-0001	Side Stand Pivot Screw	1	2.30	
12	94002-10070-0S	Hex Nut 10 Mm	1	0.90	
13	94050-10070	Flange Nut 10 mm	1	2.40	
14	94101-10700	Washer Plain 10 mm	1	0.90	
15	94102-12800	Plain Washer 12 mm	1	0.90	
16	94201-20200	Split Pin 2.0X20 mm	2	0.50	

F14 STEP HOLDER ASSY



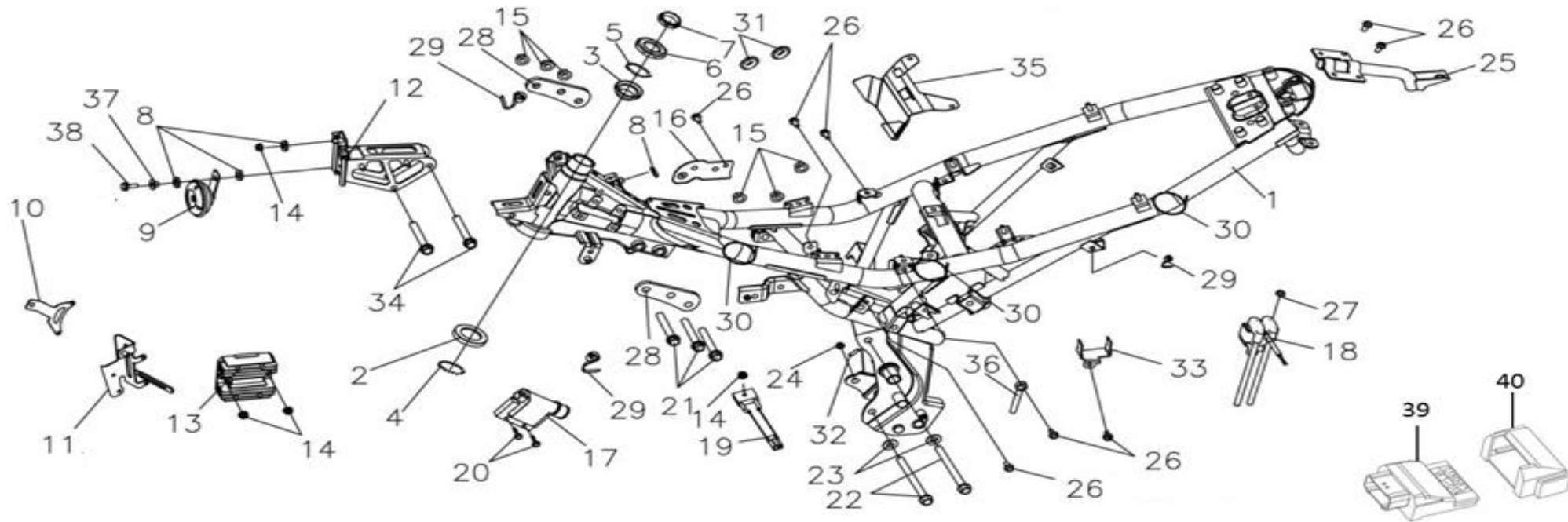
No.	Part No.	Description	Unit	Unit Price (RM / pcs)	Remark
2	50650-VF3-000-KT	R. Step Holder	1	190.00	
4	50750-VF3-000-KT	L. Step Holder	1	190.00	
5	50715-VF3-000	R. Pillion Step Bar	1	22.90	
6	50716-VF3-000	L. Pillion Step Bar	1	22.90	
7	50719-VE1-0001	R. Thrust Plate	1	3.50	
8	50819-VE1-0001	L. Thrust Plate	1	3.50	
9	50722-B9A-000	Step Pin	2	9.20	
10	96211-08000	Steel Ball 8 #	2	1.40	
11	50703-R02-000	Stop Spring	2	5.90	
12	94101-06000	Plain Washer	2	0.50	
13	94201-16200	Split Pin 1.6*20 mm	2	0.45	
14	18422-LYD-300	Muf. Mounting Rubber Bush	1	7.20	
15	94050-08000	Flange Nut 8 mm	1	1.30	
16	95801-08032-07	Flange Bolt 8*32 mm	5	1.30	

F15 FRAME BODY



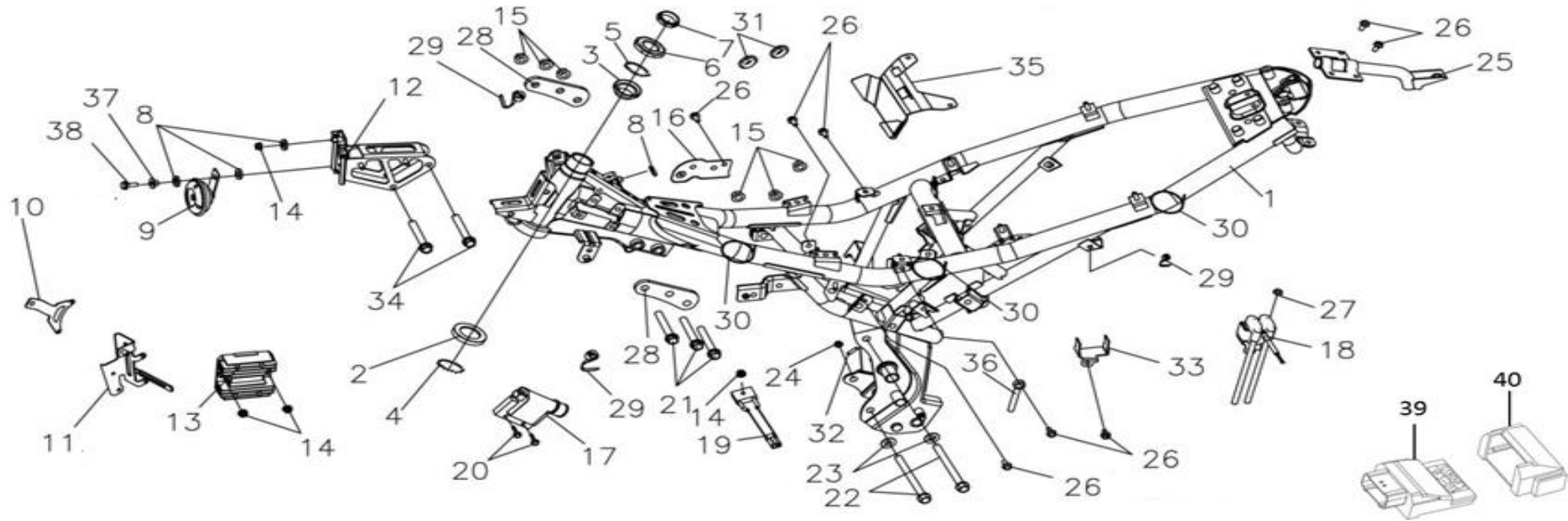
No.	Part No.	Description	Unit	Unit Price (RM / pcs)	Remark
1	50100-VF3-000-KC	Frame Body Comp.	1	949.40	
2	50302-M9Q-0000	Ball Race(Strg. Bot.)	1	14.00	
3	50301-VS1-0000-L1	Strg. Up Race Ball	1	13.40	
3	50301-M9Q-000	Steel Ball 8 #	1	20.70	V2 use
4	96211-08000	Steel Ball 8 #	19	1.40	UPDATE 9/27/2019
4	50304-AAA-000	lower steel balls and retainer ass'y	1	18.00	
5	96211-05000	Ball Steel 5 #	26	0.80	UPDATE 9/27/2019
5	50303-AAA-000	up steel balls and retainer ass'y	1	18.00	
6	53211-M9Q-0000	Strg Top Cone Race	1	13.00	
7	50306-M9Q-0000	Strg. Stem Lock Nut	1	6.10	
8	77226-M3F-0000	Damp Rubber	4	2.30	
9	38110-H7H-000	HORN COMP	1	54.60	
10	50262-VF3-000	Under Spoilder Stay B	1	12.50	
11	50266-VF3-000	Reserve Tank Stay A	1	22.90	
12	50145-VF3-000	Fr. Top Cover Stay A	1	45.40	
13	31600-VWH-0000	Reg. Rec. Comp.	1	139.00	

F15 FRAME BODY



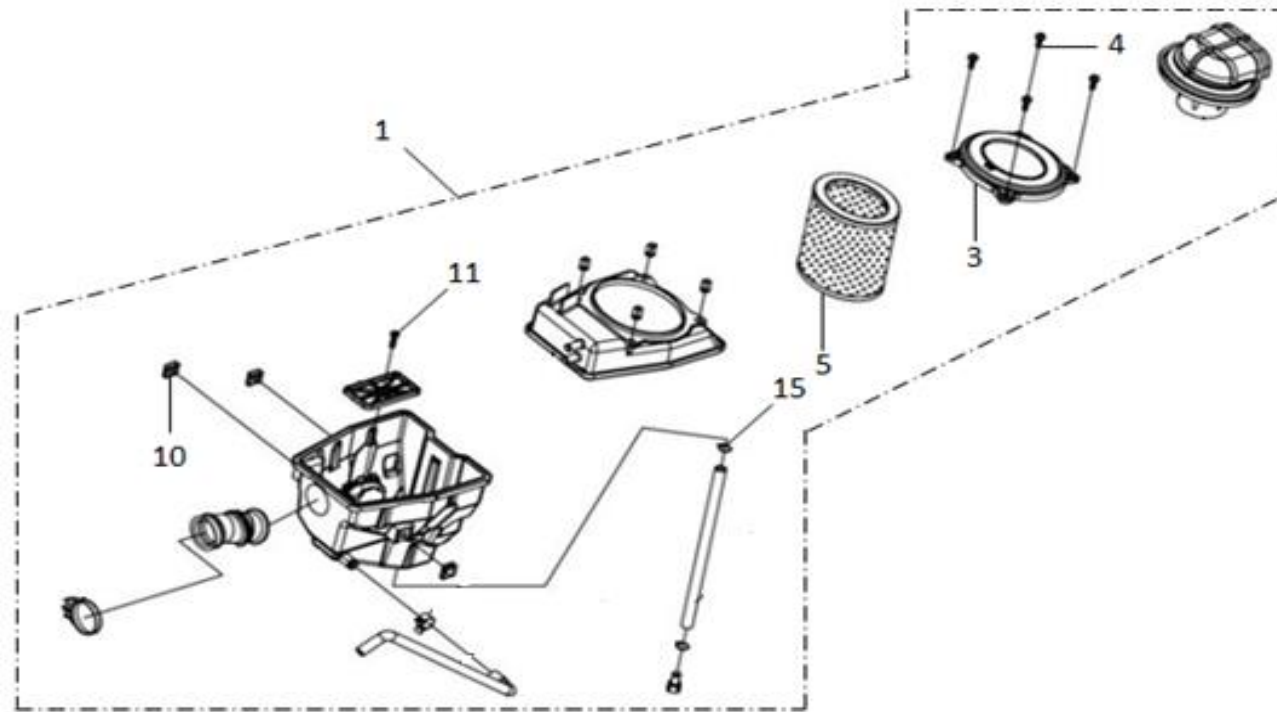
No.	Part No.	Description	Unit	Unit Price (RM / pcs)	Remark
14	94050-06080	Flange Nut 6 mm	4	1.40	
15	94050-10070	Flange Nut 10 mm	6	2.40	
16	50328-VF3-000	R. Main Pipe Patch	1	5.60	
17	3051A-VF3-000	Ign. Coil Ass'y	1	92.90	
18	3585A-VF3-000	Start Mag. Sw. Set	1	64.80	
19	31700-M46-000	Silicon Rectifier Comp.	1	16.40	
20	93891-05022-07	Washer Screw 5X22 mm	2	0.80	
21	95801-10090-07	Flange Bolt 10X90 mm	3	3.90	
22	95801-10110-07	Flange Bolt 10X110 mm	2	5.50	
23	94101-10700	Washer Plain 10 mm	2	0.90	
24	94050-10070	Flange Nut 10 mm	1	2.40	
25	50199-VF3-000	Sub Pipe B Comp.	1	26.80	
26	95801-06012-07	Flange Bolt 6X12 mm	8	1.20	
27	35859-M9Q-000	Start Mag .Sw.Nut	1	1.20	
28	50565-VF3-000	Fr. Eng. Hanger Stay	2	14.30	
29	32161-SY4-000	Wire Band	3	2.70	

F15 FRAME BODY



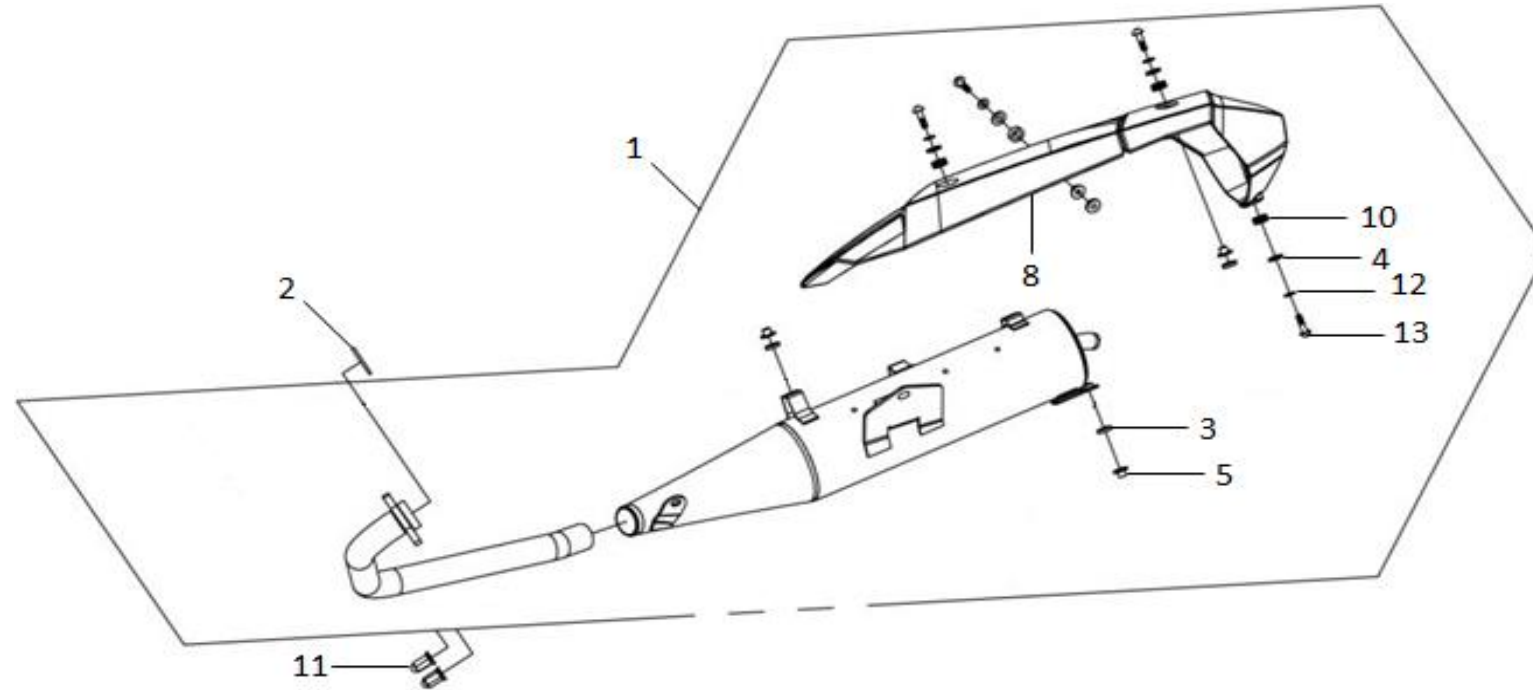
No.	Part No.	Description	Unit	Unit Price (RM / pcs)	Remark
30	32161-T15-000	Wire Band 250	3	5.90	
31	83551-B04-0000	Air/C Case Grommet	2	0.50	
32	94201-20200	Split Pin 2.0X20 mm	1	0.50	
33	50137-VF3-000	Start Mag. Sw. Stay	1	4.80	
34	95801-08050-07	Flange Bolt M8*50 mm	2	2.60	
35	80103-VF3-000	Splash Guard Plate A	1	8.20	
36	32412-VF3-000	Earth Cable	1	16.40	
37	18295-A1A-000	Collar M6	1	2.90	
38	90111-M8Q-0000	Flange Bolt 6 mm	1	1.30	
39	3871B-VF3-000	Ecu Unit Spec.	1	483.40	
40	38700-L4A-000	Ecu Suspension	1	17.40	

F16 AIR CLEANER ASSY



No.	Part No.	Description	Unit	Unit Price (RM / pcs)	Remark
1	17200-VF3-000	Air Cleaner Ass'y	1	215.90	
3	17232-B9A-000	Air/C Cover Cap	1	32.80	
4	93891-05016-07	Washer Screw 5*16 mm	4	1.70	
5	17211-B9A-000	Air/C Element Comp.	1	50.00	
10	90305-VS1-000	Clip Nut 6 mm	3	4.20	
11	93903-25480	Tapping Screw 5*20 mm	1	0.70	
15	95002-80000	Tube Clip C12	1	2.10	

F17 EXH. MUFFLER ASSY



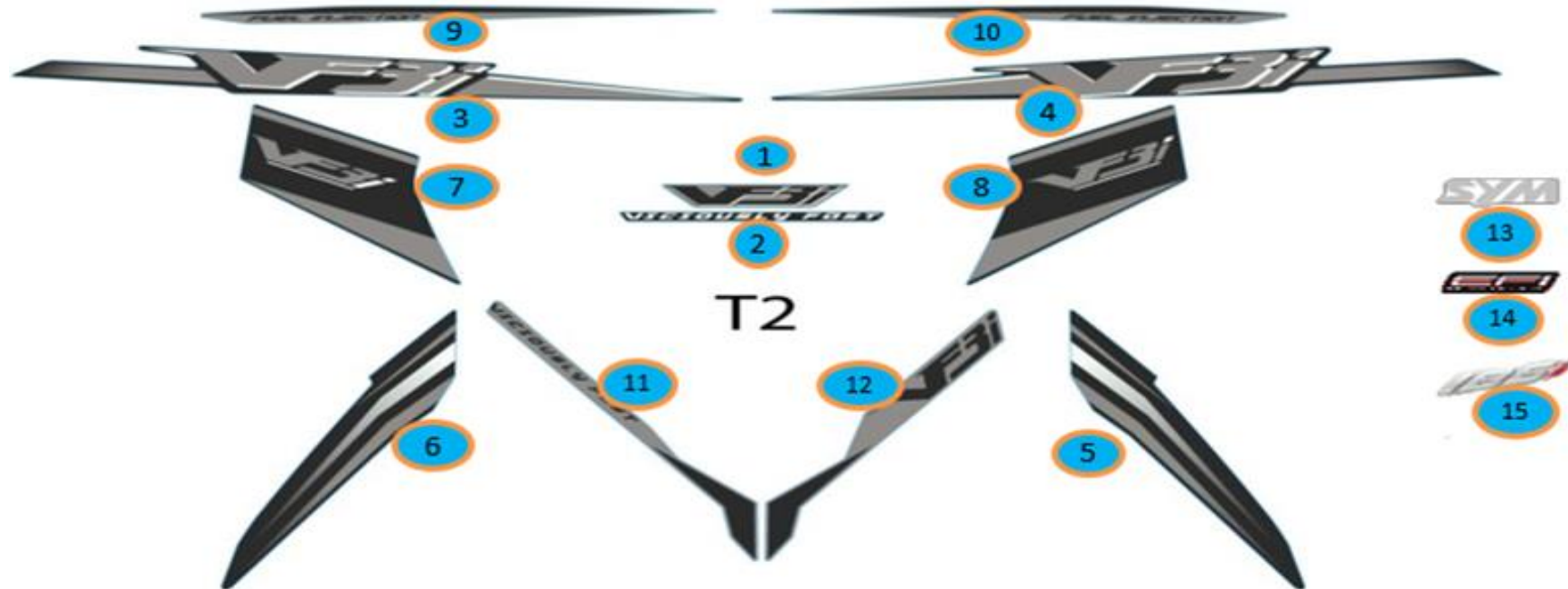
No.	Part No.	Description	Unit	Unit Price (RM / pcs)	Remark
1	18000-VF3-000	Exh. Muffler Ass'y	1	1079.00	
2	18291-H9A-000	Ex. Pipe Gasket	1	7.60	
3	18292-F86-000	Protector Packing A	4	4.30	
4	18293-F3E-000	Protector Packing B	4	1.50	
5	18295-A1A-000	Collar M6	4	2.90	
8	18318-VF3-000-KDS	Muffler Protector	1	109.00	
10	18321-L1A-000	Protector Rubber	4	3.50	
11	90043-HMA-000	Cap Nut 8 mm	2	7.10	Silver
11	90043-XB1-000	Cap nut	2	5.90	V2 : Black
12	90107-V02-000	Plain Washer 6 mm	4	2.10	
13	90116-L4A-000	Special Bolt M6*22 mm	4	1.70	

F18 STRIPE - RED



No.	Part No.	Description	Unit	Unit Price (RM / pcs)	Remark
1	87121-VF3-0001-T1	Body Cover Stripe - Red	2	1.50	
2	87123-VF3-0000-T1	Body Lower Stripe B -Red	2	1.00	provide while stock last
3	87125-VF3-0001-T1	R. Body Lower Stripe A - Red	1	5.30	
4	87126-VF3-0001-T1	L. Body Lower Stripe A -Red	1	5.30	
5	87129-VF3-0000-T1	R. Fr. Cover Stripe A - Red	1	4.30	
6	87130-VF3-0000-T1	L. Fr. Cover Stripe A - Red	1	4.30	
7	87131-VF3-0001-T1	R. Fr. Cover Stripe B - Red	1	5.30	
8	87132-VF3-0001-T1	L. Fr. Cover Stripe B - Red	1	5.30	
9	87137-VF3-0000-T1	R. Side Cover Stripe - Red	1	1.70	provide while stock last
10	87138-VF3-0000-T1	L. Side Cover Stripe - Red	1	1.70	
11	87145-VF3-0000-T1	R. Fr. Garnish Stripe - Red	1	2.60	
12	87146-VF3-0000-T1	L. Fr. Garnish Stripe - Red	1	2.60	provide while stock last
13	83503-SA6-0000-T1	Sym Stripe	2	0.70	
14	87148-VWA-0003	Efi Emblem	1	10.50	
15	87148-VF3-000	185I Stripe	2	3.20	

F19 STRIPE - BLACK



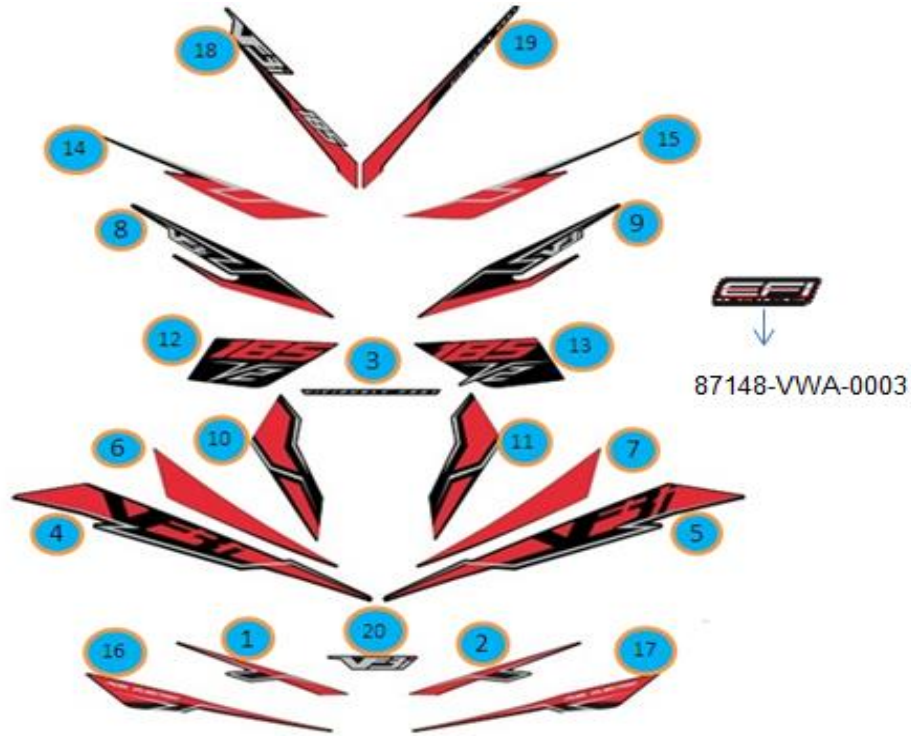
No.	Part No.	Description	Unit	Unit Price (RM / pcs)	Remark
1	87121-VF3-0001-T2	Body Cover Stripe - Black	2	1.50	
2	87123-VF3-0000-T2	Body Lower Stripe B - Black	2	1.00	
3	87125-VF3-0001-T2	R. Body Lower Stripe A - Black	1	5.30	
4	87126-VF3-0001-T2	L. Body Lower Stripe A - Black	1	5.30	
5	87129-VF3-0000-T2	R. Fr. Cover Stripe A - Black	1	4.30	
6	87130-VF3-0000-T2	L. Fr. Cover Stripe A - Black	1	4.30	
7	87131-VF3-0001-T2	R. Fr. Cover Stripe B - Black	1	5.30	provide while stock last
8	87132-VF3-0001-T2	L. Fr. Cover Stripe B - Black	1	5.30	
9	87137-VF3-0000-T2	R. Side Cover Stripe - Black	1	1.70	
10	87138-VF3-0000-T2	L. Side Cover Stripe - Black	1	1.70	
11	87145-VF3-0000-T2	R. Fr. Garnish Stripe - Black	1	2.60	
12	87146-VF3-0000-T2	L. Fr. Garnish Stripe - Black	1	2.60	
13	83503-SA6-0000-T1	Sym Stripe	2	0.70	
14	87148-VWA-0003	Efi Emblem	1	10.50	
15	87148-VF3-000	185I Stripe	2	3.20	

F20 STRIPE - BLUE



No.	Part No.	Description	Unit	Unit Price (RM / pcs)	Remark
1	87121-VF3-0001-T3	Body Cover Stripe - Blue	2	1.50	
2	87123-VF3-0000-T3	Body Lower Stripe B -Blue	2	1.00	
3	87125-VF3-0001-T3	R. Body Lower Stripe A - Blue	1	5.30	
4	87126-VF3-0001-T3	L. Body Lower Stripe A - Blue	1	5.30	
5	87129-VF3-0000-T3	R. Fr. Cover Stripe A - Blue	1	4.30	
6	87130-VF3-0000-T3	L. Fr. Cover Stripe A - Blue	1	4.30	
7	87131-VF3-0001-T3	R. Fr. Cover Stripe B - Blue	1	5.30	
8	87132-VF3-0001-T3	L. Fr. Cover Stripe B - Blue	1	5.30	
9	87137-VF3-0000-T3	R. Side Cover Stripe - Blue	1	1.70	
10	87138-VF3-0000-T3	L. Side Cover Stripe - Blue	1	1.70	
11	87145-VF3-0000-T3	R. Fr. Garnish Stripe - Blue	1	2.60	
12	87146-VF3-0000-T3	L. Fr. Garnish Stripe - Blue	1	2.60	
13	83503-SA6-0000-T1	Sym Stripe	2	0.70	
14	87148-VWA-0003	Efi Emblem	1	10.50	
15	87148-VF3-000	185I Stripe	2	3.20	

F21 STRIPE FOR VERSION 2 - RED



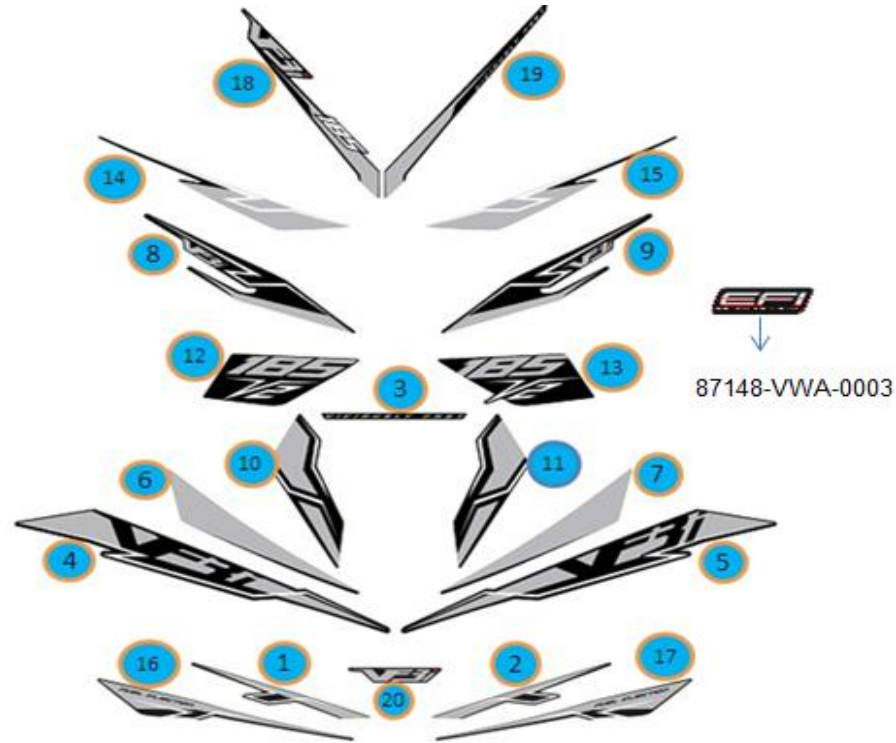
No.	Part No.	Description	Unit	Unit Price (RM / pcs)	Remark
1	87121-VF3-9000-T1	R.BODY COVER STRIPE - RED	1	2.30	
2	87122-VF3-9000-T1	L. BODY COVER STRIPE - RED	1	2.30	
3	87123-VF3-9000	BODY LOWER STRIPE B	2	0.90	
4	87125-VF3-9000-T1	R. BODY LOWER STRIPE A - RED	1	8.20	
5	87126-VF3-9000-T1	L. BODY LOWER STRIPE A - RED	1	8.20	
6	87127-VF3-0000-T1	R. BODY LOWER STRIPE C - RED	1	4.80	
7	87128-VF3-0000-T1	L. BODY LOWER STRIPE C - RED	1	4.80	provide while stock last
8	87129-VF3-9000-T1	R. FR. COVER STRIPE A - RED	1	4.80	
9	87130-VF3-9000-T1	L. FR. COVER STRIPE A - RED	1	4.80	
10	87131-VF3-9000-T1	R. FR. COVER STRIPE B - RED	1	4.80	
11	87132-VF3-9000-T1	L. FR. COVER STRIPE B - RED	1	4.80	
12	87133-VF3-0000-T1	R. FR. COVER STRIPE C - RED	1	4.40	
13	87134-VF3-0000-T1	L. FR. COVER STRIPE C - RED	1	4.40	
14	87135-VF3-0000-T1	R.FR COVER STRIPE D - RED	1	3.50	
15	87136-VF3-0000-T1	L. FR. COVER STRIPE D - RED	1	3.50	
16	87137-VF3-9000-T1	R. SIDE COVER STRIPE - RED	1	3.50	

F21 STRIPE FOR VERSION 2 - RED



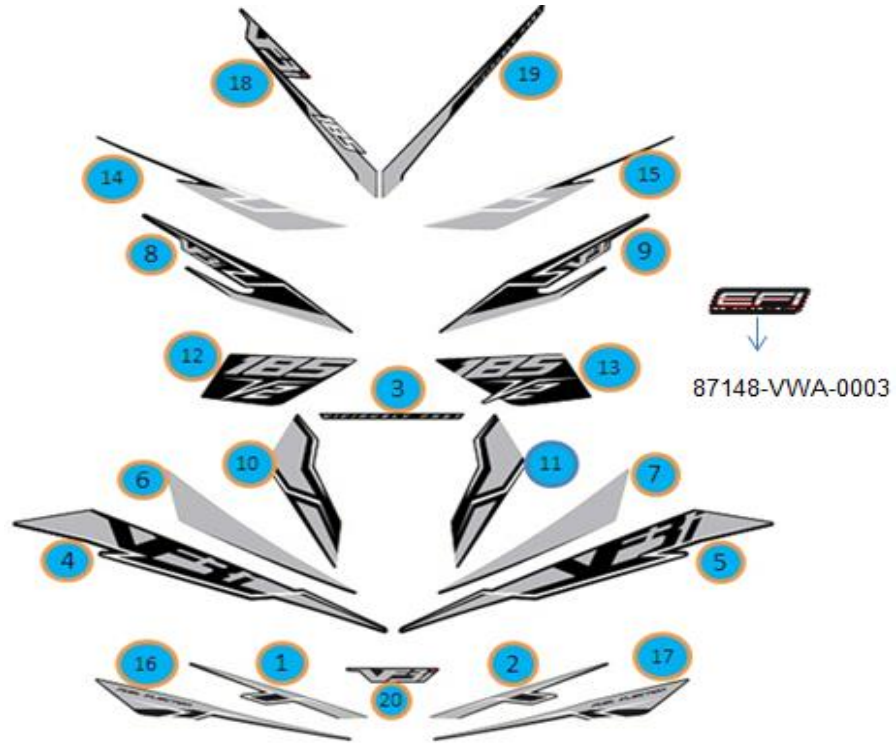
No.	Part No.	Description	Unit	Unit Price (RM / pcs)	Remark
17	87138-VF3-9000-T1	L. SIDE COVER STRIPE - RED	1	3.50	
18	87145-VF3-9000-T1	R. FR. GARNISH STRIPE - RED	1	3.50	
19	87146-VF3-9000-T1	L. FR. GARNISH STRIPE - RED	1	3.50	provide while stock last
20	87148-VF3-9000	VF3 STRIPE	2	0.90	
21	87000-VF3-9000-T1	STRIPE ASS'Y - RED (VF3 V2)	1	62.50	

F22 STRIPE FOR VERSION 2 - SILVER



No.	Part No.	Description	Unit	Unit Price (RM / pcs)	Remark
1	87121-VF3-9000-T2	R.BODY COVER STRIPE - SILVER	1	2.30	
2	87122-VF3-9000-T2	L. BODY COVER STRIPE - SILVER	1	2.30	
3	87123-VF3-9000	BODY LOWER STRIPE B	2	0.90	
4	87125-VF3-9000-T2	R. BODY LOWER STRIPE A - SILVER	1	8.20	
5	87126-VF3-9000-T2	L. BODY LOWER STRIPE A - SILVER	1	8.20	
6	87127-VF3-0000-T2	R. BODY LOWER STRIPE C - SILVER	1	4.80	provide while stock last
7	87128-VF3-0000-T2	L. BODY LOWER STRIPE C - SILVER	1	4.80	
8	87129-VF3-9000-T2	R. FR. COVER STRIPE A - SILVER	1	4.80	
9	87130-VF3-9000-T2	L. FR. COVER STRIPE A - SILVER	1	4.80	
10	87131-VF3-9000-T2	R. FR. COVER STRIPE B - SILVER	1	4.80	
11	87132-VF3-9000-T2	L. FR. COVER STRIPE B - SILVER	1	4.80	
12	87133-VF3-0000-T2	R. FR. COVER STRIPE C - SILVER	1	4.40	
13	87134-VF3-0000-T2	L. FR. COVER STRIPE C - SILVER	1	4.40	
14	87135-VF3-0000-T2	R.FR COVER STRIPE D - SILVER	1	3.50	
15	87136-VF3-0000-T2	L. FR. COVER STRIPE D - SILVER	1	3.50	
16	87137-VF3-9000-T2	R. SIDE COVER STRIPE - SILVER	1	3.50	

F22 STRIPE FOR VERSION 2 - SILVER



No.	Part No.	Description	Unit	Unit Price (RM / pcs)	Remark
17	87138-VF3-9000-T2	L. SIDE COVER STRIPE - SILVER	1	3.50	provide while stock last
18	87145-VF3-9000-T2	R. FR. GARNISH STRIPE - SILVER	1	3.50	
19	87146-VF3-9000-T2	L. FR. GARNISH STRIPE - SILVER	1	3.50	
20	87148-VF3-9000	VF3 STRIPE	2	0.90	
21	87000-VF3-9000-T2	STRIPE ASS'Y - SILVER (VF3 V2)	1	62.50	

F23 STRIPE FOR VERSION 2 - BLUE



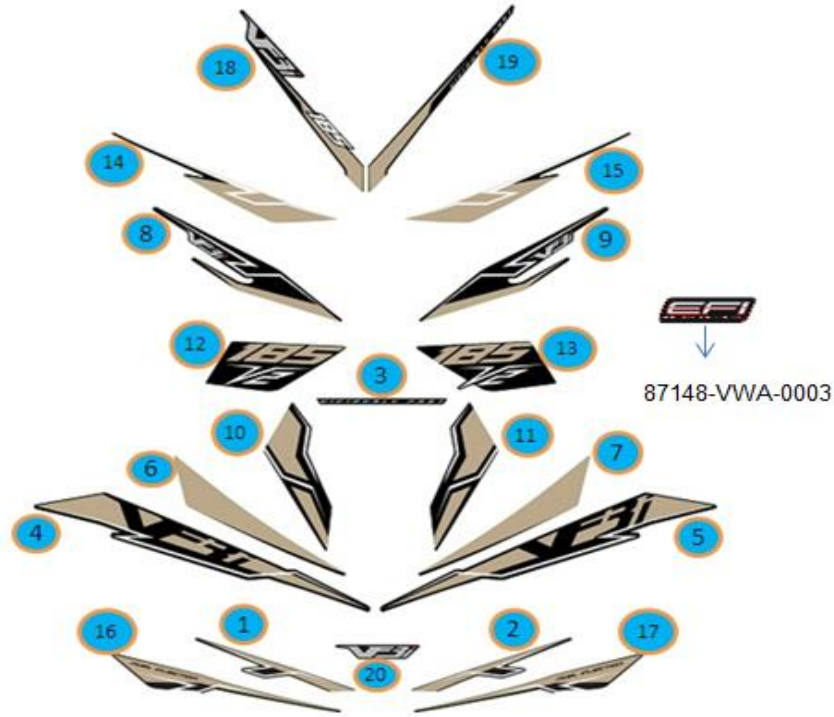
No.	Part No.	Description	Unit	Unit Price (RM / pcs)	Remark
1	87121-VF3-9000-T3	R.BODY COVER STRIPE - BLUE	1	2.30	
2	87122-VF3-9000-T3	L. BODY COVER STRIPE - BLUE	1	2.30	
3	87123-VF3-9000	BODY LOWER STRIPE B	2	0.90	
4	87125-VF3-9000-T3	R. BODY LOWER STRIPE A - BLUE	1	8.20	
5	87126-VF3-9000-T3	L. BODY LOWER STRIPE A - BLUE	1	8.20	
6	87127-VF3-0000-T3	R. BODY LOWER STRIPE C - BLUE	1	4.80	
7	87128-VF3-0000-T3	L. BODY LOWER STRIPE C - BLUE	1	4.80	provide while stock last
8	87129-VF3-9000-T3	R. FR. COVER STRIPE A - BLUE	1	4.80	provide while stock last
9	87130-VF3-9000-T3	L. FR. COVER STRIPE A - BLUE	1	4.80	
10	87131-VF3-9000-T3	R. FR. COVER STRIPE B - BLUE	1	4.80	
11	87132-VF3-9000-T3	L. FR. COVER STRIPE B - BLUE	1	4.80	
12	87133-VF3-0000-T3	R. FR. COVER STRIPE C - BLUE	x	-	stop supply
13	87134-VF3-0000-T3	L. FR. COVER STRIPE C - BLUE	1	4.40	
14	87135-VF3-0000-T3	R.FR COVER STRIPE D - BLUE	1	3.50	
15	87136-VF3-0000-T3	L. FR. COVER STRIPE D - BLUE	1	3.50	
16	87137-VF3-9000-T3	R. SIDE COVER STRIPE - BLUE	1	3.50	

F23 STRIPE FOR VERSION 2 - BLUE



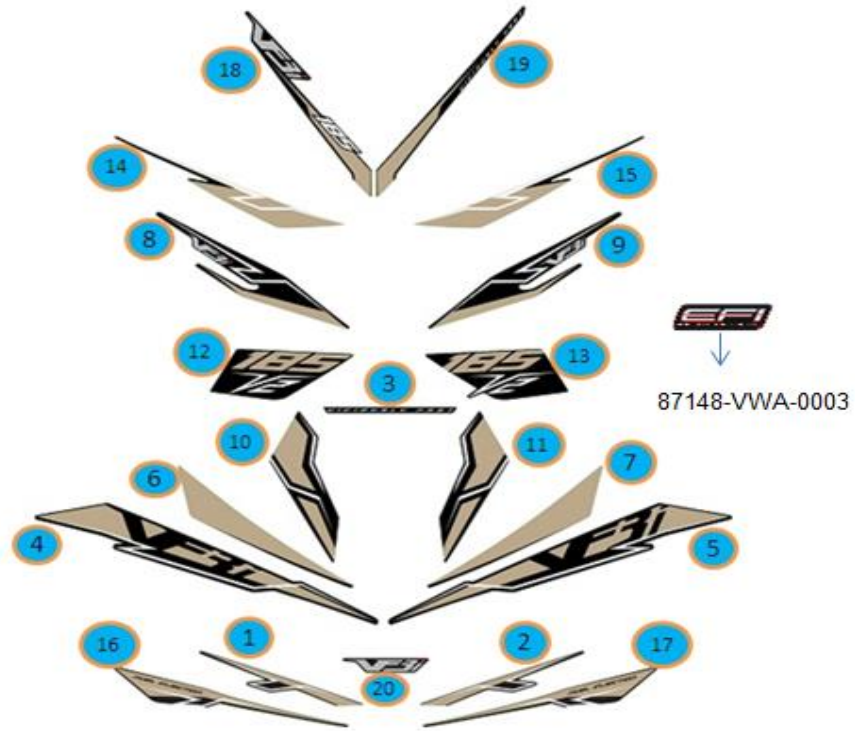
No.	Part No.	Description	Unit	Unit Price (RM / pcs)	Remark
17	87138-VF3-9000-T3	L. SIDE COVER STRIPE - BLUE	1	3.50	
18	87145-VF3-9000-T3	R. FR. GARNISH STRIPE - BLUE	X	-	stop supply
19	87146-VF3-9000-T3	L. FR. GARNISH STRIPE - BLUE	1	3.50	
20	87148-VF3-9000	VF3 STRIPE	2	0.90	
21	87000-VF3-9000-T3	STRIPE ASS'Y - BLUE (VF3 V2)	1	62.50	

F24 STRIPE FOR VERSION 2 - GOLD



No.	Part No.	Description	Unit	Unit Price (RM / pcs)	Remark
1	87121-VF3-9000-T4	R.BODY COVER STRIPE - GOLD	1	2.30	provide while stock last
2	87122-VF3-9000-T4	L. BODY COVER STRIPE - GOLD	1	2.30	
3	87123-VF3-9000	BODY LOWER STRIPE B	2	0.90	
4	87125-VF3-9000-T4	R. BODY LOWER STRIPE A - GOLD	1	8.20	
5	87126-VF3-9000-T4	L. BODY LOWER STRIPE A - GOLD	1	8.20	
6	87127-VF3-0000-T4	R. BODY LOWER STRIPE C - GOLD	1	4.80	
7	87128-VF3-0000-T4	L. BODY LOWER STRIPE C - GOLD	1	4.80	
8	87129-VF3-9000-T4	R. FR. COVER STRIPE A - GOLD	1	4.80	
9	87130-VF3-9000-T4	L. FR. COVER STRIPE A - GOLD	1	4.80	
10	87131-VF3-9000-T4	R. FR. COVER STRIPE B - GOLD	1	4.80	
11	87132-VF3-9000-T4	L. FR. COVER STRIPE B - GOLD	1	4.80	
12	87133-VF3-0000-T4	R. FR. COVER STRIPE C - GOLD	1	4.40	
13	87134-VF3-0000-T4	L. FR. COVER STRIPE C - GOLD	1	4.40	
14	87135-VF3-0000-T4	R.FR COVER STRIPE D - GOLD	1	3.50	
15	87136-VF3-0000-T4	L. FR. COVER STRIPE D - GOLD	1	3.50	
16	87137-VF3-9000-T4	R. SIDE COVER STRIPE - GOLD	1	3.50	

F24 STRIPE FOR VERSION 2 - GOLD



No.	Part No.	Description	Unit	Unit Price (RM / pcs)	Remark
17	87138-VF3-9000-T4	L. SIDE COVER STRIPE - GOLD	1	3.50	
18	87145-VF3-9000-T4	R. FR. GARNISH STRIPE - GOLD	1	3.50	
19	87146-VF3-9000-T4	L. FR. GARNISH STRIPE - GOLD	1	3.50	
20	87148-VF3-9000	VF3 STRIPE	2	0.90	
21	87000-VF3-9000-T4	STRIPE ASS'Y - GOLD (VF3 V2)	1	62.50	